
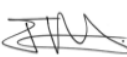
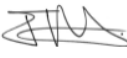




Specification: Technical Requirements for MV Cable Accessories

Standard Number: HPC-8DJ-03-0001-2012

Document Control		
Author	Name: Paul Savig Position: Manager Engineering Standards	 Digitally signed by Paul Savig Date: 2013.10.02 13:23:38 +08'00'
Document Owner <i>(May also be the Process Owner)</i>	Name: Justin Murphy Position: Manager Asset & Works	 Justin Murphy 2013.10.04 11:50:25 +08'00'
Approved By *	Name: Justin Murphy Position: Manager Asset & Works	 Justin Murphy 2013.10.04 11:50:44 +08'00'
Date Created/Last Updated	April 2013	
Review Frequency **	5 yearly	
Next Review Date **	April 2018	

* Shall be the Process Owner and is the person assigned authority and responsibility for managing the whole process, end-to-end, which may extend across more than one division and/or functions, in order to deliver agreed business results.

** Frequency period is dependent upon circumstances– maximum is 5 years from last issue, review, or revision whichever is the latest. If left blank, the default shall be 1 year unless otherwise specified.

Revision Control		
Revision	Date	Description
0	15/04/2013	First Issue

STAKEHOLDERS The following positions shall be consulted if an update or review is required:	NOTIFICATION LIST The following shall be notified if an update or review is required.
<i>Manager Engineering Services</i>	<i>Engineering & Projects</i>
<i>Manager Engineering Systems Planning</i>	<i>Operations</i>
<i>Manager Assets and Works</i>	

TABLE OF CONTENTS

1	SCOPE	6
2	NORMATIVE REFERENCES	7
2.1	Standards	7
2.2	Definitions and Abbreviations	8
2.2.1	Definitions.....	8
2.2.2	Abbreviations.....	10
3	REQUIREMENTS.....	10
3.1	Power System Particulars.....	10
3.1.1	Rated Voltages	10
3.1.2	Design Fault Levels	10
3.1.3	Maximum Conductor Temperatures	10
3.1.4	Nominal System Frequency	10
3.1.5	System Insulation Levels	11
3.2	Service Conditions.....	11
3.2.1	Environmental Conditions	11
3.2.2	Operating Conditions	12
3.3	Applicable Cables for Accessories.....	12
3.3.1	MV Cables – XLPE Insulated (new and existing).....	12
3.3.2	MV Cables – PILC	13
3.4	Jointing Kits	13
3.4.1	General.....	14
3.4.2	Additional requirements for water logged ground.....	14
3.4.3	Joint Design.....	14
3.4.3.1	Compound.....	14
3.4.3.2	Joint Connectors.....	15
3.5	Termination Kits.....	15
3.5.1	General.....	16
3.5.2	Termination Design.....	16
3.5.2.1	Compound.....	17
3.5.2.2	Termination Connectors.....	17
3.5.3	Phase Identification.....	17
3.5.4	Termination Tail Length	17
3.6	Separable Insulated Connectors.....	18
3.6.1	Unscreened Separable Connectors.....	19
3.6.2	Screened Separable Connectors.....	19
3.7	Sealing End Caps and Sleeving	19
3.8	Accessory Earthing.....	20

3.9	Special Requirements.....	21
3.10	Conditions and Range of Approval	22
3.11	Marking/Packing.....	22
3.11.1	Marking.....	22
3.11.2	Packing.....	23
3.12	Tagging of Equipment.....	23
4	TOOLS AND SPARE EQUIPMENT	24
5	STORAGE	24
6	RELIABILITY	24
7	SAFETY.....	24
8	ENVIRONMENTAL CONSIDERATIONS	24
9	TESTS	25
9.1	Assembly of Accessories to be Tested	25
9.1.1	Identification	25
9.1.2	Test Installation and Connections.....	25
9.2	Test Requirements	26
9.2.1	Type Tests.....	26
9.2.2	Routine Tests	26
9.2.3	Accessory Test Requirements.....	26
9.2.4	Batch Test	26
9.2.5	Impact Test on Cable Joints for Armoured Cables.....	27
9.3	Schedule of Tests.....	28
9.3.1	Electrical Heat Cycle.....	28
9.3.2	Thermal Stability of Insulated System Under Load	28
9.3.3	Mechanical Test.....	28
9.4	Acceptance of Alternative Type Tests.....	28
10	DOCUMENTATION AND SAMPLES.....	29
10.1	Installation Instructions	29
10.2	Bill of Materials (BOM).....	29
10.3	Type Test Certificates/Reports	29
10.4	Samples	29
11	TRAINING	30
	APPENDIX A – REVISION INFORMATION.....	31
	APPENDIX B – CABLE INFORMATION.....	32
	APPENDIX C – IMPACT TEST ARRANGEMENT.....	34
	APPENDIX D – CABLE CONNECTIONS.....	35
	APPENDIX E – QUALITY ASSURANCE (TO BE COMPLETED BY STORES)	36
	APPENDIX F – ENQUIRY DOCUMENT: SCHEDULES A & B.....	38
	APPENDIX G – COMPLIANCE DOCUMENT: SCHEDULE C.....	44

APPENDIX H – DEPARTURES FROM TECHNICAL SPECIFICATION47
APPENDIX I – ITEM DESCRIPTION: SCHEDULE D48

1 SCOPE

This specification covers Horizon Power's requirements for the testing and supply of medium-voltage accessories for power cables used on AC systems from 6.6 kV up to and including 33 kV.

The accessories are intended for use on the following types of cable:

- 1) Three-core general purpose impregnated paper-insulated cable with lead sheath and with double galvanised steel tape armour to AS/NZS 1026;
- 2) Single-core MV XLPE-insulated cable to AS/NZS 1429.1; and

The accessories covered by this specification are:

- a) indoor and outdoor terminations of all designs;
- b) straight joints and transition joints of all designs, these joints shall be suitable for use underground (specific requirements apply for use underground with water logged surfaces) or in air;
- c) screened plug-in type or bolted-type dead-break separable connectors; and
- d) Cable end caps, sleeving and insulating compounds.

NOTE: Submarine cable accessories are not included as part of this specification.

Tests prescribed will evaluate the performance of these accessories. Test requirements for impregnated-paper and XLPE-insulated cables shall comply with this specification. The tests methods are based on IEC 61442.

Approval in terms of this specification may be obtained by one or a combination of the following:

- a) successful completion of the appropriate tests required by this specification by an independent and accredited test authority.
- b) provision of test certificates from an independent and accredited test authority based upon an alternative specification, with test requirements at least equivalent to this specification.

NOTE: Verification of accreditation of the test authority shall be provided by NATA (National Association of Testing Authorities) accredited test house or by a test house possessing accreditation from a NATA MRA (Mutual Recognition Agreement) partner.

2 NORMATIVE REFERENCES

2.1 Standards

The following documents contain provisions that, through reference in the text, constitute requirements of this specification. At the time of publication, the editions were valid. All standards and specifications are subject to revision and parties to agreements based on this specification are encouraged to investigate the possibility of applying the most recent editions of the documents listed below. Information on currently valid national and international standards and specifications can be obtained from SAI Global – Standards On-Line data base or equivalent standards database.

Table 1: List of Applicable Standards

STANDARD	DESCRIPTION
AS 1824.2	Insulation Coordination: Part 2 – Phase to Earth and Phase to Phase above 1 kV
AS 1931.1	High Voltage Testing Techniques - General Definitions and Test Requirements
AS 2067	Substations and high voltage installations exceeding 1 kV a.c.
AS 2629	Separable Insulated Connectors for Power Distribution Systems Above 1 kV
AS 3100	Approval and test specification – General requirements for electrical equipment
AS/NZS 1026	Impregnated Paper insulated – for Working Voltages up to and including 19/33(36) kV
AS/NZS 1429.1	Electric Cables – Polymeric Insulated
AS/NZS 4325.1	Compression and mechanical connectors for power cables with copper or aluminium conductors - Test methods and requirements
AS/NZS 4805.1	Accessories for Electric Cables - Test Requirements - Power cables with extruded insulation for rated voltages from 1.9/3.3(3.6) kV up to and including 19/33(36)kV
AS/NZS 4805.2	Accessories for Electric Cables - Test Requirements – Impregnated paper-insulated metal-sheathed cables for rated voltages from 1.9/3.3(3.6) kV up to and including 19/33(36)kV
AS/NZS 4961	Electric cables - Polymetric insulated – for Distribution and service applications
AS/NZS 60137	Insulated bushings for alternating voltages above 1 kV.
IEC 867	Insulating liquids-specifications for unused liquids based on synthetic aromatic hydrocarbons, Cable Alkylbenzenes Class 1
IEC 60055-1	Paper-insulated metal-sheathed cables for rated voltages up to 18/30 kV (with copper or aluminium conductors and excluding gas pressure and oil filled cables) - Part 1: Tests on cables and their accessories.
IEC 60183	Guide to the selection of high-voltage cables
IEC 60502-4	Power cables with extruded insulation and their accessories for rated voltages from 1 kV ($U_m = 1,2$ kV) up to 30 kV ($U_m = 36$ kV) - Part 4: Test

STANDARD	DESCRIPTION
	requirements on accessories for cables with rated voltages from 6 kV ($U_m = 7,2$ kV) up to 30 kV ($U_m = 36$ kV).
IEC 60507	Artificial pollution tests on high-voltage insulators to be used on a.c. systems.
IEC 61238-1	Compression and Mechanical Connectors for power cables for rated voltages up to 30 kV ($U_m = 36$ kV) – Part 1 Test methods and requirements.
IEC 61442	Electric cables: Test methods for accessories for power cables with rated voltages from 6 kV ($U_m = 7,2$ kV) up to 30 kV ($U_m = 36$ kV).
IEEE 592	Exposed Semiconducting Shields on Premoulded High Voltage Cable Joints and Separable Insulated Connectors
OECD 301D	Guideline for ready biodegradability
VDE 0278	Part 3 - Power cable accessories with nominal voltages U up to 30 kV (U_m up to 36 kV); Joints 1 kV ($U_m = 1.1$ kV)
VDE 0298	Part 4 – General Current Ratings for flexible cables

2.2 Definitions and Abbreviations

For the purposes of this specification the following definitions apply:

2.2.1 Definitions

- 1) **air insulated termination:** metallic enclosure (weatherproof enclosure with a minimum rating of IP54) within which the cable cores are terminated by stress control appropriate to the cable design and voltage with air being the sole insulation for the terminal connections
- 2) **armour clamp:** A stainless steel clamp used to connect the main earthing conductor of an accessory to the armour wires of a cable.
- 3) **bolted-type separable connector:** A separable connector in which the electrical contact is made by a bolted device.
- 4) **connector:** A metallic device to connect cable conductors together.
- 5) **constant force spring (CFS):** A strip of non-magnetic stainless steel that is wound to form a spring and intended to maintain a constant force on a circular object.
- 6) **deadbreak connector:** A separable connector designed to be connected and disconnected on de-energized circuits only.
- 7) **Equipment:** means MV Cable Accessory in relation to this specification.
- 8) **indoor termination:** A termination intended for use where it is not exposed to either solar radiation or weathering.
- 9) **IP54:** Ingress Protection Rating where:
 - a) Ingress of dust is not entirely prevented, but it must not enter in sufficient quantity to interfere with the satisfactory operation of the equipment; complete protection against contact.

- b) Water splashing against the enclosure from any direction shall have no harmful effect.
- 10) **main earthing conductor:** A conductor that maintains earth continuity throughout a cable joint, or connects the earth circuit of a cable to the metallic enclosure of terminal equipment and that is rated to carry the prospective earth fault current of the system.
- 11) **nominal voltage:** according to DIN VDE 0298 and IEC 60183, cables are specified as $U_0/U (U_m)$ where:
- U_0 is the cable nominal voltage between the conductor and the metal covering or earth;
 - U is the cable nominal voltage between the phase conductors, for 3-phase $\sqrt{3}$;
 - U_m is the maximum permissible voltage.
- This defines the voltages of cables and wires, by which the construction and the tests in respect of electrical characteristics are to be referred.
- 12) **outdoor termination:** A termination intended for use where it is exposed to either solar radiation or weathering or both.
- 13) **plug-in type separable connector:** A separable connector in which the electrical contact is made by a sliding mechanism.
- 14) **range-taking accessory:** An accessory designed to be used for more than one cross-section of the cable over a specific range.
- 15) **screened separable connector:** A separable connector that has a fully screened external surface.
- 16) **secondary earthing conductor:** A conductor that for XLPE-insulated cable connects the copper screen of the cable to the main earthing conductor at a joint or termination.
- 17) **separable connector:** A fully insulated termination permitting the connection and the disconnection of a cable to other equipment.
- 18) **straight joint:** An accessory making a connection between two cables to form a continuous circuit.
- 19) **submersible:** Cables or accessories that are designed to function while fully submersed in water (up to a depth of 100 m).
- 20) **termination:** A device fitted to the end of a cable to ensure electrical connection with other parts of the system and to maintain the insulation up to the point of connection.
- 21) **termination tail:** The part of a cable termination that for an impregnated paper-insulated cable extends from the end of the lead sheath to the end of the core insulation and in the case of an XLPE-insulated cable extends from the extruded bedding cut to the end of the core insulation.
- 22) **transition joint:** A straight joint making a connection between cables with different types of insulation.
- 23) **trifurcated cable:** cable with three cores each taking up a third of the area, i.e. circle divided into three pieces.

- 24) **waterlogged:** refers to areas that are saturated with water at all times (24 h per day).

2.2.2 **Abbreviations**

- 1) AC: Alternating Current
- 2) AMF: Approved Manufacturing Facility
- 3) AS: Australian Standard
- 4) AWA: Aluminium-wire armoured
- 5) CFS: Constant Force Spring
- 6) DC: Direct Current
- 7) GDSTA: Galvanized double steel-tape armoured
- 8) HDPE: High Density Polyethylene
- 9) kV: kilo Volts
- 10) MIND: Mineral-impregnated non-draining
- 11) MV: Medium Voltage >1000 volts ac; <35 000 volts ac
- 12) PVC: Polyvinyl Chloride
- 13) SWA: Steel-wire armoured
- 14) XLPE: Cross-linked polyethylene
- 15) PILC: Paper Insulated Lead Cable

3 **REQUIREMENTS**

3.1 **Power System Particulars**

3.1.1 **Rated Voltages**

The rated voltages $U_o/U (U_m)$ of accessories considered in this specification shall be as specified in AS/NZS 1026 & 1429.1.

3.1.2 **Design Fault Levels**

The Maximum design fault currents are as follows:

- 1) 13.1 kA rms/1 second for 33 kV and 22 kV systems
- 2) 18.1 kA rms/1 second for 11 kV and 6.6 kV systems

3.1.3 **Maximum Conductor Temperatures**

The Equipment shall be suitable for use on cables with conductor temperatures specified in AS/NZS 1026 & 1429.1 for normal operation and under fault conditions.

3.1.4 **Nominal System Frequency**

The nominal system frequency is 50 Hz.

3.1.5 System Insulation Levels

The system Basic Impulse Insulation Levels (BIL) are as follows:

Table 2: System Insulation Levels

Nominal System Voltage (kV rms)	System Highest Voltage (kV peak)	Lightning Impulse Withstand Voltage (kV peak)	Power Frequency withstand Voltage (kV peak)
6.6	7.2	75	20
11.0	12.0	95	28
22.0	24.0	150	50
33.0	36.0	200	70

3.2 Service Conditions

3.2.1 Environmental Conditions

The Equipment shall be suitable for use throughout the state of Western Australia in conditions where a wide range of solar radiation, pollution (salt bearing and industrial) and wind velocities are experienced. The Equipment shall be suitable for continuous operation under the following environmental conditions:

Table 3: Conditions of Service

Condition	Requirement
Air Temperature:	55°C maximum to –5°C minimum
Black Body Temperature in sunlight:	80°C maximum
Relative Humidity:	0% to 100%
Maximum Intensity of Solar Radiation:	1.1 kW/m ²
Maximum Wind Velocities:	240 km/hr North West cyclonic gust
Pollution:	Wind borne dust deposits may accumulate over a number of months followed by high humidity with heavy dew or light rain.
Salt:	At points along a 4 km wide West Coast strip, salt deposits can reach levels as high as 40 mg/100 cm ² per month.
Isokeraunic Levels:	Activity varies from 60-80 thunder days per year in the Kimberley, to 30 thunder days per year in the Pilbara, and 5-10 thunder days per year along the South Coast.
Altitude:	Not exceeding 1000 m above mean sea level.
Treatment:	Live line washing with water having a resistivity above 600 Ω.cm

3.2.2 Operating Conditions

For cables, the conditions of installation and operation shall be as follows:

Table 4: Operating Conditions

Condition	Requirement
Ambient Soil Temperature	15 to 40°C
Depth of Laying	850 mm measured from ground surface to centre of a cable/trefoil
Thermal Resistivity of Soil	Between 1 .5°C.m/W and 2.5°C.m/W
Water logging (in specific areas)	Wet salty soil due to accumulation of salt water for long periods. Salt concentration can be as high 5000 mg/ litre in certain areas.

3.3 Applicable Cables for Accessories

All MV cables used in Horizon Power are either XLPE insulated or PILC cables. PILC cables are no longer used however certain accessories shall be required for existing cables in the network (e.g.: transition joints).

3.3.1 MV Cables – XLPE Insulated (new and existing)

The 12.7/22 kV cable is used on the 6.6 kV and 11 kV systems.

- 1) 19.1/33 kV, 3 x 1-core, 50 mm², 630 mm² and 1000 mm² aluminium and 185 mm² copper stranded conductor, semi conductive conductor and insulation screens, heavy duty copper wire screen, water blocking tape, PVC inner and HDPE (2 mm thick) outer sheathed.
- 2) 12.7/22 kV, 3 x 1-core, 95 mm², 185 mm² and 400 mm² aluminium and 240 mm² and 630 mm² copper stranded conductor, semi conductive conductor and insulation screens, heavy duty copper wire screen, water blocking tape, PVC inner and HDPE (2 mm thick) outer sheathed.

NOTE: Double brass tape may sometimes be used on the 185 mm² size for termite protection.

- 3) 12.7/22 kV 3 x 1-core, 35 mm² aluminium stranded compacted conductor, semi-conductive conductor and insulation screens, heavy duty copper wire screen, water blocking tape, PVC inner and HDPE (2 mm thick) outer sheathed.

A 12.7/22 kV 35 mm² 1-core light duty copper wire screen version, similar in other respects to the 3 x 1-core, is also used.

NOTE: The 3 x 1-core 35 mm² cable may sometimes have an additional nylon 12 sheath for termite protection.

Table 5: MV XLPE insulated cables

Cable Type (Conductor, Insulation)	Nom. Conductor CSA (mm ²)	Nom. Conductor Diam. (mm)	Nom. Core Insulation Diam. (mm)	Screen Wires Nom. CSA per core (mm ²)	Approx. Single Core Diam. (mm)	Approx. Three Core Diam. (mm)
33kV Al, XPLE	1000	39.3	59.1	62.6	72.2	N/A
33kV Al, XLPE	630	30.2	48.2	-	60.3	N/A
33kV Cu, XLPE	185	16.1	28.9	70	42.5	91.5
33kV Al, XLPE	50	8.2	26.1	32	38	82
22kV Cu, XLPE	630	30.3	43.7	70	56.0	124.8
22kV Al, XLPE	400	23.5	36.4	70	46.0	105.1
22kV Cu, XLPE	240	18.6	31.4	70	45.0	97.0
22kV Al, XLPE	185	16.1	28.9	70	42.5	91.5
22kV Al, XLPE ^A	185	16.3	29.2	70	46.0	99.0
22kV Al, XLPE	95	11.6	24.5	59	37.5	81.0
22kV Al, XLPE	35	7.0	19.8	25.0	32.0	69
22kV Al, XLPE ^B	35	7.0	19.7	21.5	32.0	N/A
22kV Al, XLPE ^C	35	7.0	19.8	22.0	34.2	74

NOTES:

- ^A Double brass tape for termite protection.
- ^B Light duty copper wire screen version.
- ^C Nylon 12 sheath for termite protection.

3.3.2 MV Cables – PILC

- 1) 12.7/22 kV 3-core, 50 mm² and 185 mm² aluminium and 240 mm² copper shaped stranded conductor, screened.
- 2) 6.35/11 kV 3-core, 70 mm² aluminium and 240 mm² and 300 mm² copper shaped stranded conductor, screened.

Table 6: MV Paper-Lead insulated cables

Cable Type (Voltage, Conductor, Insulation)	Nom. Conductor CSA (mm ²)	Nom. Conductor Diam. (mm)	Min Insul. Thickness Between Cond. & Sheath (mm)	Nom. Thickness of Lead Alloy Sheath (mm)	Max/Min Lead Alloy Sheath Overall Diameter (mm)	Max/Min Overall Cable Diam. (mm)
22kV Cu, PILC	240	17.01	4.9	2.6	69.3 / 66.2	86.1 / 81.9
22kV Al, PILC	185	14.82	4.9	2.4	63.9 / 61.0	80.3 / 76.2
22kV Al, PILC	50	8.90	4.9	1.9	48.4 / 46.1	62.6 / 59.3
11kV Cu, PILC	300	18.14	2.8	2.4	60.1 / 57.3	76.5 / 72.6
11kV Cu, PILC	240	16.20	2.8	2.2	55.4 / 52.8	70.2 / 66.6
11kV Al, PILC	70	8.56	2.8	1.7	37.5 / 35.5	51.0 / 48.1

3.4 Jointing Kits

Horizon Power shall only consider Heat Shrink joints.

3.4.1 **General**

Joint kits shall be suitable to be buried directly in all soil types and ground conditions. The completed joints shall be completely sealed from possibility of any moisture ingress; impervious to petrol & oil and resistant to attack by termites. The Vendor shall ensure that all joints have termite protection (e.g. external wire sock), for the jointing of XLPE insulated MV cables with double brass tape or nylon 12 termite protection as detailed in Section 3.3.

The Vendor shall specify the minimum shelf life of the Jointing kits.

3.4.2 **Additional requirements for water logged ground**

Joint kits used for cables installed in water logged surfaces shall have the following requirements in addition to Section 3.4.1:

- Provision of water blocking tubes or additional outer sleeving that shall provide complete moisture and corrosion free sealing to the joint.
- Termimesh layer for joints shall preferably be of a non-corrosive material. They must be compatible with Nylon/ polymer jackets used with the cables.

Preference will be given by Horizon Power towards joint kits that are general purpose with the provision of add on accessories to meet the water logged surface requirements.

3.4.3 **Joint Design**

The life, electrical and mechanical performance characteristics of the joints shall be at least equal to those of the cables with which they are to be used.

Joint kits shall be supplied with all components necessary to complete the joint (this includes connectors and cable preparation materials). Any excluded parts shall be stated. Preference shall be given to kits that minimise the skill and labour necessary to complete a joint.

All accessories shall be range taking in accordance with the following standard ranges:

Table 7: Standard accessory ranges for joints

1	2	3	4	5	6
Rated Voltage (U _o /U kV)	Cable Size (mm ²)				
	Accessory Range				
6.35/11	16 to 35	50 to 95	120 to 185	240 to 400	500 to 630
12.7/22	25	35 to 70	95 to 240	300 to 400	500 to 630
19/33	50 to 70	95 to 150	185 to 400	500 to 630	1000

3.4.3.1 **Compound**

Compound filled kits shall be supplied with sufficient compound to complete each joint for the instance involving the smallest dimension cables that may be utilised, PLUS an additional 10% of compound. Sand fillers may be offered

however resin only compound kits are preferred. Vendors shall supply a Gelation-curve for each compound type offered.

The Vendor shall state the type of compound proposed for the filling and detail its characteristics with particular reference to skin irritation effects, fumes and toxicity (refer Section 6). The Vendor may suggest an alternative filling compound, or method, to reduce the packaging required for larger cable sizes.

In its offer, the Vendor shall also detail the type of packaging used for the compound (and fillers if offered) and the method by which it is to be applied (i.e. mixed, poured, cured, etc.) to complete the joint. The packaging used to contain the compound(s) shall be of such a quality that they are substantially resistant to accidental puncture and normal handling.

Uni-packs are preferred where resin only (i.e. no fillers) compound kits is offered. On large joints where uni-packs are offered and significant resin is required, the Vendor shall offer several reasonably sized packs of volume no more than 2.5 L each. Where fillers are used, a bucket or other suitable container and stirring implement shall be provided as part of the kit for the mixing of the compound.

All compound filled joint kits shall contain clear joint boxes to allow visual indication of the joint during the compound filling process. The joint boxes of cable tee joints shall be suitable for cutting with a suitable manual/automatic cutting tool. If the joint boxes are supplied with the tee-off cut-outs removed, or if joint box is to be used with cables of dimensions smaller than the main cable cut-out, packing (or other suitable accessory) shall be supplied to prevent leakage of the compound during installation.

Preference may be given to compound filled joint kits that positively separate screen wires from the joint box and centre the joint connectors.

3.4.3.2 Joint Connectors

The Vendor shall fully describe the type of core connector offered for each kit. Mechanical connectors shall meet the test requirements of AS/NZS 4325.

The core connectors on MV joints shall be:

- 1) of the “shear off” type;
- 2) being fully countersunk; with
- 3) the shear off occurring below the upper lip of the countersunk hole and no exposed burrs or edges.

NOTE: Unless otherwise specified in Schedule D (Appendix I), the joint kit items for connecting MV insulated XLPE to XLPE cables shall be supplied as single joint kits.

3.5 Termination Kits

Horizon Power shall only consider Heat Shrink terminations.

3.5.1 General

All termination kits for use shall be of the shrinkable type and complete with sheds (outdoor kits) and fasteners, but without stand-off insulators and support brackets. Indoor termination kits may be offered with or without sheds.

The termination shall be sealed against moisture ingress. This includes sealing by mastic (or similar) at the connector, and of the screen wires at the base of the termination. All terminations shall be termite proof.

The Vendor shall specify the minimum shelf life of the Termination kits.

Preference shall be given to kits that minimise the skill and labour necessary to complete a termination.

3.5.2 Termination Design

1) Terminations shall be classified as:

a) indoor air insulated termination;

NOTE: Clearance within the enclosure shall be in accordance with Table 3.1 in AS 2067.

b) outdoor terminations.

2) The design of the termination shall take into account changes to the electrical field distribution caused by pollution deposited on the surface of the termination in indoor and outdoor applications.

3) The creepage distance shall be stated in Schedule B.

NOTE: The creepage distance shall be measured from the end of the cable insulation at the lug, along the surface of the termination tail, to the nearest exposed earthed point (i.e. typically the main earth lead of the termination or conductive break-out boot if applicable).

4) The termination design shall include termite protection.

All termination kits shall be supplied with all components necessary to complete the termination (this includes the main cable and screen lugs).

All accessories shall be range taking in accordance with the following standard ranges:

Table 8: Standard accessory ranges for terminations

1	2	3	4	5	6	7
Rated Voltage (U _o /U kV)	Cable Size (mm ²)					
	Accessory Range					
6.35/11	16 to 35	50 to 95	120 to 185	240 to 400	500 to 800	1000
12.7/22	25 to 50	70 to 185	240 to 300	400 to 630	800 to 1000	
19/33	50 to 95	120 to 185	240 to 500	630	1000	

3.5.2.1 **Compound**

As described in Section 3.4.3.1.

3.5.2.2 **Termination Connectors**

The Vendor shall fully describe the type of core connector offered for each kit. Mechanical connectors shall meet the test requirements of AS/NZS 4325.

The core connectors on MV terminations shall be:

- 1) of the “shear off” type;
- 2) being fully countersunk; with
- 3) the shear off occurring below the upper lip of the countersunk hole and no exposed burrs or edges.

All connector lugs shall be sized to suit a M12 bolt. All screen lugs shall be sized to suit a M10 bolt. Any excluded parts shall be stated.

NOTE: The MV insulated XLPE cable termination kits items shall be supplied as single termination kits, unless otherwise specified in Schedule D (Appendix I).

3.5.3 **Phase Identification**

All outdoor termination kits shall be supplied with a coloured cable banding method (tape, heatshrink, etc.) suitable for the long-term phase identification of cable cores. The banding shall be UV-stabilised to prevent fading due to exposure in sunlight.

3.5.4 **Termination Tail Length**

- 1) Unless otherwise specified in Schedule A of the enquiry document, cable termination tail lengths shall be as specified in Table 9 and Table 10.

Table 9: Tail Length for three-core cable terminations

1	2
Rated Voltage (U ₀ /U kV)	Tail Length (mm)
6.35/11	650
12.7/22	800
19/33	800

Table 10: Tail Length for single-core cable terminations

1	2
Rated Voltage (U ₀ /U kV)	Tail Length (mm)
6.35/11	350
12.7/22	450
19/33	650

3.6 Separable Insulated Connectors

Separable insulated connectors shall be similar or equivalent manufacture to those makes specified in the item description of Schedule D (Appendix I), to enable proper connection or mating at the interface with associated parts such as insert junctions, equipment bushings and other separable components. The connectors shall conform to AS 2629.

Connectors shall have an electrically conductive shield conforming to IEEE 592. All elbow connectors shall have provision for connecting the shield to an external earth connection. For testing purposes it is preferred that the shield may be temporarily disconnected from the external earth connection.

Test points shall be provided on all separable elbow and straight connectors. Hold-down bails are required on all dead-break connectors of the non-bolted type.

The Vendor shall state in its Proposal if elbow or straight connector items include jacket seals (cold shrinkable sleeving for sealing at neck of cable entry into connector).

Termination kits of the elbow connector type for use with ring main switchgear (refer to Items 3.1 to 4.3 in Schedule D (Appendix I)) shall be of suitable design to ensure that any unscreened or non-shockproof parts of the termination lie totally within the switchgear cable compartment.

For all separable connectors, preference shall be given to kits that utilise screw connectors:

- 1) of the “shear off” type;
- 2) being fully countersunk; with
- 3) the shear off occurring below the upper lip of the countersunk hole and no exposed burrs or edges.

Mechanical connectors shall meet the test requirements of AS/NZS 4325.

The Vendor shall specify the minimum shelf life of the kits.

Preference shall be given to kits that minimise the skill and labour necessary to complete a termination.

All separable connectors shall be supplied with all components necessary to complete the termination (this includes lugs). Any excluded parts shall be stated.

NOTE: Unless otherwise specified in Schedule D (Appendix I), the separable connector kit items shall be supplied as single connector kits.

3.6.1 **Unscreened Separable Connectors**

Unscreened separable connectors shall be:

- a) fitted with insulated backplugs where applicable;
- b) range taking in accordance with the standard ranges specified in Table 8;
- c) suitable for application with a 630 A Type C bushing of IEC 60137 with an M16 x 2 thread;
- d) supplied with stainless steel fixing stems that reduce from M16 x 2 to M12 x 1,75. The length of each threaded section shall be 30 mm. Each fixing stem shall have a stainless steel nut, washer and spring washer;
- e) tested at the minimum phase-to-phase and phase-to-earth clearances recommended as per Table 3.1 of AS 2067. The minimum recommended clearances if a different shall be stated in Schedule B of the enquiry document.

3.6.2 **Screened Separable Connectors**

Extensible and non-extensible connectors shall be:

- a) range taking in accordance with the standard ranges specified in Table 8;
- b) connect to either 630 A Type C bushing of IEC 60137 with an M16 x 2 thread or a 200 A Type A bushing with a straight connector type (for transformer circuits).
- c) supplied with stainless steel fixing stems and lugs for the cable size specified in Schedule A.

3.7 **Sealing End Caps and Sleeving**

Shrinkable sleeving or tubing, where their length is not specified, shall be supplied in unbroken rolls.

Specified dimensions of gloves (finger sleeves), tubing and end caps are nominal expanded measurements in millimetres. Specified wall thicknesses are fully recovered measurements.

Vendors may offer re-usable alternatives to the shrinkable sealing end cap items detailed in Schedule D (Appendix I). If re-useable, the Vendor shall detail the number of times the end caps may be used and methods (if any) to identify the number of uses. The Vendor shall guarantee that the cap will not allow moisture in if reused for the proposed number of times. Vendors may also offer cold applied alternatives to the heat shrinkable repair kit items detailed in Schedule D (Appendix I).

Sealing End Caps and Sleeving shall be termite proof.

The Vendor shall specify the minimum shelf life of the kits and items.

Preference shall be given to sealing end caps and sleeving that minimise the skill and labour necessary to complete a termination.

3.8 Accessory Earthing

- 1) Unless specified otherwise in Schedule A the main earthing conductor shall be tinned copper braid with a cross-sectional area of 70 mm².
- 2) Constant force springs (CFS's) used to connect the main earthing conductor to the lead sheath or armour of a cable shall have a minimum width of 20 mm and shall be suitable for the relevant cable dimensions.
- 3) Armour clamps shall be stainless steel with a nominal thickness of 1 mm and nominal width of at least 20 mm. Fastening shall be by means of a socket or spanner only.
- 4) CFS's that form part of the main earthing connection shall not be used to secure any ferrous metal enclosures used for mechanical protection of a three-core cable joint.
- 5) The main earthing conductor of a joint shall be separated from the individual core insulation by a collective insulating inner sleeve that:
 - a) for an impregnated paper-insulated cable extends from lead sheath to lead sheath;
 - b) for an XLPE-insulated cable extends from bedding to bedding; and
 - c) for a transition joint extends from lead sheath to bedding;
 and that is effectively sealed at each bedding or lead sheath interface.
- 6) The sharp edges of a CFS or armour clamp shall be smoothed using a suitable filler tape positioned around the CFS or clamp. In the case of CFS, the filler tape will also serve to restrain the spring.
- 7) The main earthing conductor supplied with a termination shall be 700 mm long and shall be terminated with a tinned copper connector having an M12 fixing hole.
- 8) The cable termination earthing conductor shall be water blocked to prevent ingress of moisture into the termination. The method of water blocking shall be stated in Schedule B of the enquiry document. The positioning of the water block shall be clearly indicated in the accessory installation instruction.
- 9) XLPE-insulated cables:
 - a) Secondary earthing conductors shall be tinned copper braid and shall have a cross-sectional area of at least 20 mm².
 - b) The connection between secondary earthing conductor and the copper screen of each cable core shall be made with a CFS.
 - c) The main earthing conductor of a three-core joint or termination shall be connected to the armour wires of the cable with a CFS or an armour clamp.
 - d) The armour wires directly below the CFS or armour clamp shall be supported. The method of support shall be indicated in Schedule B of the enquiry document.

NOTE: Support below the armour wires is required to accommodate the triangular shape of certain XLPE-insulated cables.

10) Impregnated paper-insulated cables:

The main earthing conductor of a joint or termination shall be:

- a) connected to the lead sheath of the cable by a CFS. A layer of tinned copper mesh shall be provided for application under the CFS; and
- b) connected to the armouring of the cable with a CFS.

3.9 Special Requirements

- 1) Where heat shrink materials are used for the purpose of electrical insulation they shall have a minimum wall thickness as per Table 2.1 of AS 1429.1.
- 2) Outdoor three-core cable terminations shall be provided with crutch support to prevent damage to the cable crutch and core insulation from over-trifurcating.
- 3) Three-core cable terminations shall be designed to accommodate crossing of cable cores within the screened section of the trifurcated cores. The method of core crossing along with minimum clearances shall be indicated in the termination instruction.
- 4) Three-core cable joints shall be designed to accommodate crossing of cable cores within the joint. The method of core crossing shall be indicated in the termination instruction.
- 5) The termination tail insulating tube length shall allow for at least 100 mm of additional length that is required to cover the lug barrel. Alternatively lug insulating tubes of at least 150 mm shall be provided.
- 6) For the accessory range indicated in Schedule A of the enquiry document (Appendix F); a transition joint shall be supplied that allows for the connection of a 3-core impregnated paper-insulated cable to three single-core XLPE-insulated cables. The joint shall:
 - a) make provision within the joint for connection of the main earthing conductor to a 70 mm² copper PVC insulated conductor that complies with AS/NZS 5000;
 - b) allow the 70 mm² PVC insulated conductor to be brought out of the joint without affecting the integrity of the joint sealing arrangement.
- 7) Cleaning kits shall consist of at least the following:
 - a) non-oil based cleaning solvent supplied in a sealed container that prevents leakage or evaporation;
 - b) 50 mm x 600 mm aluminium-oxide or glass based abrasive tape;
 - c) 1 m of twine for cutting core insulation (supplied only with accessories for XLPE-insulated cables);
 - d) eight pieces of 150 mm x 150 mm lint free cloth; and
 - e) a material safety data sheet.

3.10 Conditions and Range of Approval

- 1) For each type of accessory for impregnated paper-insulated cable, approval of the range of cross-sections from 95 mm² to 300 mm² shall be obtained by successfully completing the type tests listed in Tables 2 and 3 of IEC 60055-1, on a cable cross-section as indicated in Section 8.1.2.
- 2) For each type of accessory for XLPE-insulated cables, approval of the range of cross-sections from 95 mm² to 300 mm² shall be obtained by successfully completing the type tests listed in Tables 4 to 9 of IEC 60502-4, on a cable cross-section as indicated in Section 8.1.2.

Extension of approval to a range wider than that given above shall be achieved by carrying out the additional tests listed in Table 10 of IEC 60502-4 on the smallest and/or largest conductor cross sectional areas of the required range.

- 3) Tests carried out according to 1) or 2) on a single or three-core cable shall provide approval of that type of accessory for use on single-core cables up to the largest sizes included in the relevant cable specification. Tests carried out on a single-core cable however, shall not provide approval for use of that accessory on three-core cables.
- 4) For one type of accessory for three-core paper-insulated metal-sheathed cable, approval of the range of cross-sections up to and including 50 mm² shall be obtained by successfully completing the type tests listed in Tables 2 and 3 of IEC 60055-1 on the smallest size offered.
- 5) For one type of accessory for three-core XLPE-insulated cables, approval of the range of cross sections up to and including 50 mm² shall be obtained by successfully completing the type tests listed in Tables 4 to 9 of IEC 60502-4 on the smallest size offered.
- 6) All other conditions stated in clause 24 of IEC 60055-1 and clause 7 of IEC 60502-4 shall apply.

3.11 Marking/Packing

3.11.1 Marking

All accessories shall be clearly and durably marked as follows:

- a) the manufacturer's identification mark and reference/catalogue number (to be visible on the completed accessory after installation);
- b) the accessory range (to be visible on the accessory packaging);
- c) all components forming part of an accessory shall be marked with the manufacturer's identification mark as well as a part number. This part number shall be referenced in the bill of materials;

NOTE: Components that are physically impossible to mark shall be individually packed and the packaging shall be marked.

- d) all components or consumables that are subject to a shelf life limitation, shall be individually packed and have the expiry date prominently and permanently shown on the packaging.

- e) where an accessory contains components or consumables that have an expiry date it shall be clearly marked on the outside of the cardboard container.

3.11.2 **Packing**

- 1) Each accessory shall be packed in a cardboard container to protect it from mechanical damage. Individual parts shall be packed in sealed plastic bags completely sealed from dust and moisture. The package shall contain:
 - a) an installation instruction;
 - b) all necessary components and consumables required to complete the installation in accordance with the instruction i.e. accessory components, cleaning kit and earthing kit;
 - c) a bill of materials;
 - d) Material Safety Data Sheets (MSDS)
- 2) Plastic packing shall be such as to permit easy identification of the components without their removal from the packing.
- 3) The packaging used to contain the compound(s) shall be of such a quality that they are substantially resistant to accidental puncture and normal handling.

Where accessories are bulk packed the mass of each container shall not exceed 30 kg. The container shall be marked with the following information:

- a) the name of the manufacturer;
- b) the accessory reference;
- c) the number of accessories per container;
- d) the batch number; and
- e) the purchaser's order number.

3.12 **Tagging of Equipment**

The Vendor shall offer as an option to Horizon Power, a method for indelibly tagging all joint, termination, separable connector, and submersible pit connector kit items with a random 6-digit number. This number shall be used to reference the cable jointer undertaking the installation of the joint or termination. It is expected that the tagging system, as well as the numbered marking, shall last the life of the installed equipment.

Vendors shall also provide as an option a method to record approximate installation date on the tag.

4 TOOLS AND SPARE EQUIPMENT

Separate prices are required with the offer for the following:

- 1) Any spares necessary for the continuous operation of each item of Equipment; and
- 2) Any special tools or handling equipment required for installation and/or maintenance shall be stated in Schedule B of the enquiry document (Appendix F).

All spares must be labelled with manufacturer's part number.

It is required that the validity period of the Proposal, as far as spares are concerned, be extended until such time as Horizon Power places an order for spares.

5 STORAGE

Components shall be capable of being stored without deterioration within the temperature range of -10 °C to + 55 °C for at least 24 months.

6 RELIABILITY

Vendors shall provide information on the reliability of the Equipment and the performance of the materials offered over an **operational life of 30 years** under the specified field of application and conditions of service.

Information provided shall evidence the claimed reliability and performance for the Equipment offered, including information on Failure Mode and Effect Analysis.

7 SAFETY

Material Safety Data Sheets (MSDS) applicable for each different product or chemical ingredient in the product which is considered harmful to personnel or environment in any manner, shall be supplied with the Proposal.

8 ENVIRONMENTAL CONSIDERATIONS

Vendors shall provide information on the environmental soundness of the design and the materials used in the manufacture of the Equipment offered. In particular, information must address such issues as recyclability and disposability at the end of service life; as well as disposability of used or unused materials supplied.

9 TESTS

9.1 Assembly of Accessories to be Tested

9.1.1 Identification

- 1) The paper-insulated and XLPE-insulated cables used for testing shall comply with AS/NZS 1026 & 1429.1 respectively and shall be the same rated voltage as the accessories to be tested.

Cables shall be correctly identified in accordance with Appendix B.

- 2) Connectors to be used with the accessories shall comply with AS 2629 and shall be correctly identified with respect to:
 - a) the assembly technique;
 - b) the tooling and necessary setting;
 - c) the preparation of contact surfaces;
 - d) the type, reference number and any other identification of the connector; and
 - e) the details of the type test approval.
- 3) Accessories to be tested shall be correctly identified with respect to:
 - a) the name of manufacturer and the brand name;
 - b) the type, designation, manufacturing date and part number;
 - c) the minimum and maximum cable cross-sections, material and shape of cable conductor;
 - d) the minimum and maximum cable insulation diameters;
 - e) the rated voltages (see Section 3.1.1);
 - f) the cable construction (see Appendix B);
 - g) the installation instructions (reference and date) and associated bill of materials;
 - h) the tail lengths tested (where applicable); and
 - i) the cross-sectional area of the main earth leads.

9.1.2 Test Installation and Connections

- 1) Unless otherwise specified, the following cable sizes shall be used :
 - a) for terminations, joints and stop ends see Tables 5 & 6;

NOTE: This does not override the requirements of Section 3.10 but must be read in conjunction with it; and
 - b) for separable connectors: each rating shall be tested in accordance with 5.2.1 b) of IEC 60502-4.
- 2) The phase-to-phase and phase-to-earth clearances for indoor terminations screened separable connectors shall be not greater than that specified in Table 3.1 of AS 2067.

- 3) Installation and connections shall be in accordance with IEC 60055-1 or IEC 60502-4.
- 4) Test Assemblies of the required number of connectors and associated cables shall be made as follows:
 - a) Fit the connectors to the cables in accordance with the manufacturer's installation instructions.
 - b) Steadily apply torque until the shear head is broken.

9.2 Test Requirements

Tests carried out shall be according to AS 1931.1, AS/NZS 4805 Part 1 and 2

9.2.1 Type Tests

Evidence shall be submitted by the Vendor indicating that all type tests required by the relevant Australian Standards listed in Table 1 have been satisfactorily carried out on Equipment of an identical design.

Where Equipment has been tested to International Standards only, sufficient type test evidence shall be submitted to confirm equivalence of Equipment performance to the relevant Australian standard.

9.2.2 Routine Tests

Routine tests, according to the standards listed in Table 1, shall be carried out on each item of Equipment thereof.

9.2.3 Accessory Test Requirements

- 1) Test requirements for impregnated-paper-insulated cables shall be in accordance with IEC 60055-1 with the voltage levels shown in Table 11 of this specification.
- 2) Test requirements for XLPE-insulated cables shall be in accordance with IEC 60502-4 with voltage levels shown in Table 12 of this specification.

9.2.4 Batch Test

The following tests shall be carried out for every batch of the equipment supplied Horizon Power:

- 1) The thermal short circuit (screen) test shall be performed at 10 kA for 1 second except where this requirement exceeds the earth fault rating of the cable, in which case the test shall be carried out at the 1 second earth fault rating of the cable.

Where the earthing circuit is deemed to be independent of the accessory it may be tested in accordance with AS/NZS 4325 at the above-mentioned current levels. It shall be tested as installed for service.

- 2) Cable joints for armoured cables shall be subjected to an impact test in accordance with Section 8.2.5.

Table 11: Test voltages for impregnated paper-insulated cables

Test	Test Voltage	Rated Voltage (U_0/U kV)			Requirements
		6.35/11	12.7/22	19/33	
Humidity and salt fog	1.25 U_0	7.94	15.9	23.8	No failure or flashover No more than 3 trips No substantial damage ¹⁾
Thermal cycles	1.5 U_0	9.5	19.1	28.5	No failure or flashover
AC withstand/15 min	2.5 U_0	15.9	31.8	47.5	No failure or flashover
AC withstand/1 min	4 U_0	25.4	50.8	76	No failure or flashover
AC withstand/5 min	4.5 U_0	28.6	57.1	85.5	No failure or flashover
Impulse (peak)		95	150	200	No failure or flashover

¹⁾ It is considered that substantial damage has occurred when it is evident that the performance of the accessory has been severely reduced by loss of dielectric quality of the surface due to tracking or erosion.

Table 12: Test voltages for XLPE-insulated cables

Test	Test Voltage	Rated Voltage (U_0/U kV)			Requirements
		6.35/11	12.7/22	19/33	
Humidity and salt fog	1.25 U_0	7.94	15.9	23.8	No failure or flashover No more than 3 trips No substantial damage ¹⁾
Thermal cycles	1.73 U_0	11	22	33	No failure or flashover
AC withstand/15 min	2.5 U_0	15.9	31.8	47.5	No failure or flashover
AC withstand/1 min	4 U_0	25.4	50.8	76	No failure or flashover
AC withstand/5 min	4.5 U_0	28.6	57.1	85.5	No failure or flashover
Impulse (peak)		95	150	200	No failure or flashover

¹⁾ It is considered that substantial damage has occurred when it is evident that the performance of the accessory has been severely reduced by loss of dielectric quality of the surface due to tracking or erosion.

9.2.5 Impact Test on Cable Joints for Armoured Cables

The impact test arrangement for armoured cable joints is illustrated in Figure C1 of Appendix C. The test shall be conducted on a separate sample from all other tests. Prior to impacting, the insulation resistance shall be measured between the conductor and the metallic screen/sheath. The DC test voltage shall be 500 V and shall be applied for a sufficient time to reach a reasonably steady measurement, but for not less than one minute and not more than five minutes. The joint shall also be subjected to an AC withstand voltage of 2,5 U_0 for 1 minute.

The joint shall be placed on a hard base, e.g. a concrete slab or floor, and solidly supported in a box filled with sand to the horizontal centre line of the accessory.

A wedge shaped block of mass 4 kg having a 90° angle with a 2 mm radius impacting edge shall be dropped freely from a height of 1 m on to the joint so that the impacting edge is horizontal and at right angles to the axis of the joint. There shall be one impact at each end of the joint and one impact at a position over the conductor connectors. The impact at the end of the joint in an XLPE-insulated cable shall be at the outer sheath cut back and at the lead sheath cut back in the case of an impregnated paper-insulated cable.

Following the impact test the joint shall be fully immersed in water for 24 hour at ambient temperature and the insulation resistance shall again be measured as specified above between the conductor and the metallic screen/sheath and between the metallic screen/sheath (if insulated) and the water.

The minimum measured insulation resistance shall be as follows:

- a) impregnated-paper-insulated cables > 10 MΩ; and
- b) XLPE-insulated cables > 10³ MΩ.

The joint shall then be subjected to an AC withstand voltage test at 2,5 U₀ for 15 min. No breakdown shall occur.

Details of any visible effects and the position of the impacts on the joint shall be recorded by photographs and included in the test report.

9.3 Schedule of Tests

The testing schedule includes Electrical Heat Cycle, Thermal Stability Under Load, Integrity of Seal and Connector Insulation, Long Duration Insulation Resistance, and Shear Head Fracture Torque tests.

9.3.1 *Electrical Heat Cycle*

The test shall be conducted as per AS/NZS 4805 Part 1 and 2.

9.3.2 *Thermal Stability of Insulated System Under Load*

The test shall be conducted as per AS/NZS 4805 Part 1 and 2.

9.3.3 *Mechanical Test*

The test shall be conducted as per Chapter 7 of IEC 61238.

9.4 Acceptance of Alternative Type Tests

Accessories that have been successfully type tested in accordance with other International Standards not specified above at their respective test voltages shall be accepted provided that:

- a) an additional impulse withstand voltage test is performed at the voltage levels required by this specification;
- b) for cable joints, impact tests are performed in accordance with Section 8.2.5;
- c) a written guarantee is provided stating that the accessories are suitable for cables manufactured to AS/NZS 1026 and 1429;

- d) the accessory complies with all other requirements of this specification; and
- e) the range of approval is as per Section 3.10.

10 DOCUMENTATION AND SAMPLES

NOTE: All documentation shall be in English.

10.1 Installation Instructions

Installation instructions shall:

- a) be unique to the rated voltage and the cable type for which the accessory has been designed;
- b) be supported by legible illustrations, that clearly indicate the application and assembly of all components of the accessory;
- c) reference the bill of materials by utilising the short description and by quoting the relevant part number at least once when describing the components;
- d) indicate a date of issue and revision number.

10.2 Bill of Materials (BOM)

The bill of materials shall provide the following information for each component:

- a) a short description;
- b) the quantity;
- c) a part number.

10.3 Type Test Certificates/Reports

- 1) Type test certificates and reports shall be submitted with a tender.
- 2) The type test reports shall include an installation instruction and bill of materials that form an integral part of the test report issued by the test authority.

10.4 Samples

For the purpose of evaluation, test samples of the Equipment may be requested by Horizon Power. When requested, the Vendor shall supply Horizon Power test samples free of charge and within 4 weeks of the request.

The samples, supplied in either kit or assembled form, shall be provided with a complete set of installation instructions. Any deviations between the Equipment supplied as a sample to Horizon Power and the Equipment offered in the Proposal shall be detailed by the Vendor.

A sample of the accessory shall be supplied with the tender where specified in Schedule A of the enquiry document.

11 TRAINING

The Vendor shall propose a one week training program for installation and operation of the Equipment in the field. This training shall be conducted at a venue nominated by Horizon Power. The Vendor shall supply all materials required for training purposes.

The training program shall be offered as an option to Horizon Power and costed as a separate item.

The supplier shall provide the following details with regard to training offered:

- a) the available training courses;
- b) there duration;
- c) the cost per delegate;
- d) the minimum number of delegates required;
- e) the certification of delegates; and
- f) on-site training.

APPENDIX A – REVISION INFORMATION

(Informative) Horizon Power has endeavoured to provide standards of the highest quality and would appreciate notification if any errors are found or even queries raised.

Each Standard makes use of its own comment sheet which is maintained throughout the life of the standard, which lists all comments made by stakeholders regarding the standard.

A comment sheet found in **DM: 3563844**, can be used to record any errors or queries found in or pertaining to this standard, which can then be addressed whenever the standard gets reviewed.

Date	Rev No.	Notes
15/04/2013	0	First Issue

APPENDIX B – CABLE INFORMATION

(Informative – taken from AS 4805.2 Appendix A)

Identification of Impregnated Paper-Insulated Cable – A1				
Rated voltage U_o/U (U_m)				kV
Batch Number				
Construction	Single Core		Three Core	
	Belted		Individually screened	
	SL -Type			
Conductor(s)	Aluminium		Copper	
	Stranded		Solid	
	Round		Shaped	
	120 mm ²		150 mm ²	
	185 mm ²		240 mm ²	
	300 mm ²			
Impregnation	Draining		Non-draining	
Metallic sheath	Lead		Aluminium	
	Plain		Corrugated	
Outer covering	Fibrous		Extruded	
	PVC		PE	
Diameters	Conductor			mm
	Insulation including screen			mm
	Metal sheath			mm
	Outer covering			mm

Identification of Extruded Insulation Cable – A2				
Rated voltage U_0/U (U_m)				kV
Batch Number				
Construction	Single Core		Three Core	
	Not individually screened		Individually screened	
Conductor(s)	Aluminium		Copper	
	Stranded		Solid	
	Round		Shaped	
	120 mm ²		150 mm ²	
	185 mm ²		240 mm ²	
	400 mm ²		630 mm ²	
Impregnation	PVC		XLPE	
Insulation screen	EPR		HEPR	
Metallic sheath	Wires		Tapes	
	Extruded			
Outer covering	PVC		HDPE	
Water blocking	In conductor		Under oversheath	
Diameters	Conductor			mm
	Insulation including screen			mm
	Metal sheath			mm
	Outer covering			mm

APPENDIX C – IMPACT TEST ARRANGEMENT

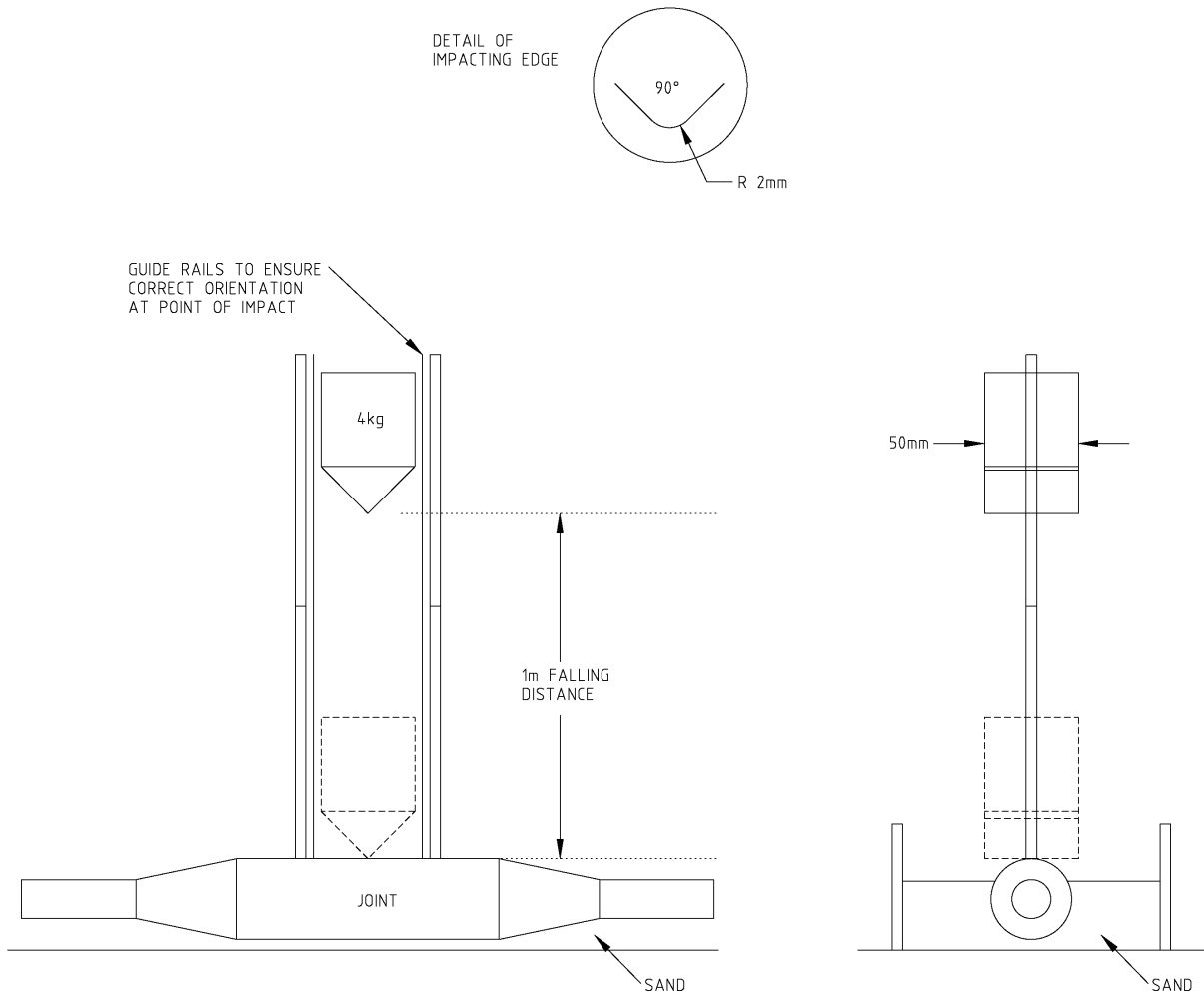


Figure C1: - Impact test arrangement

APPENDIX D – CABLE CONNECTIONS

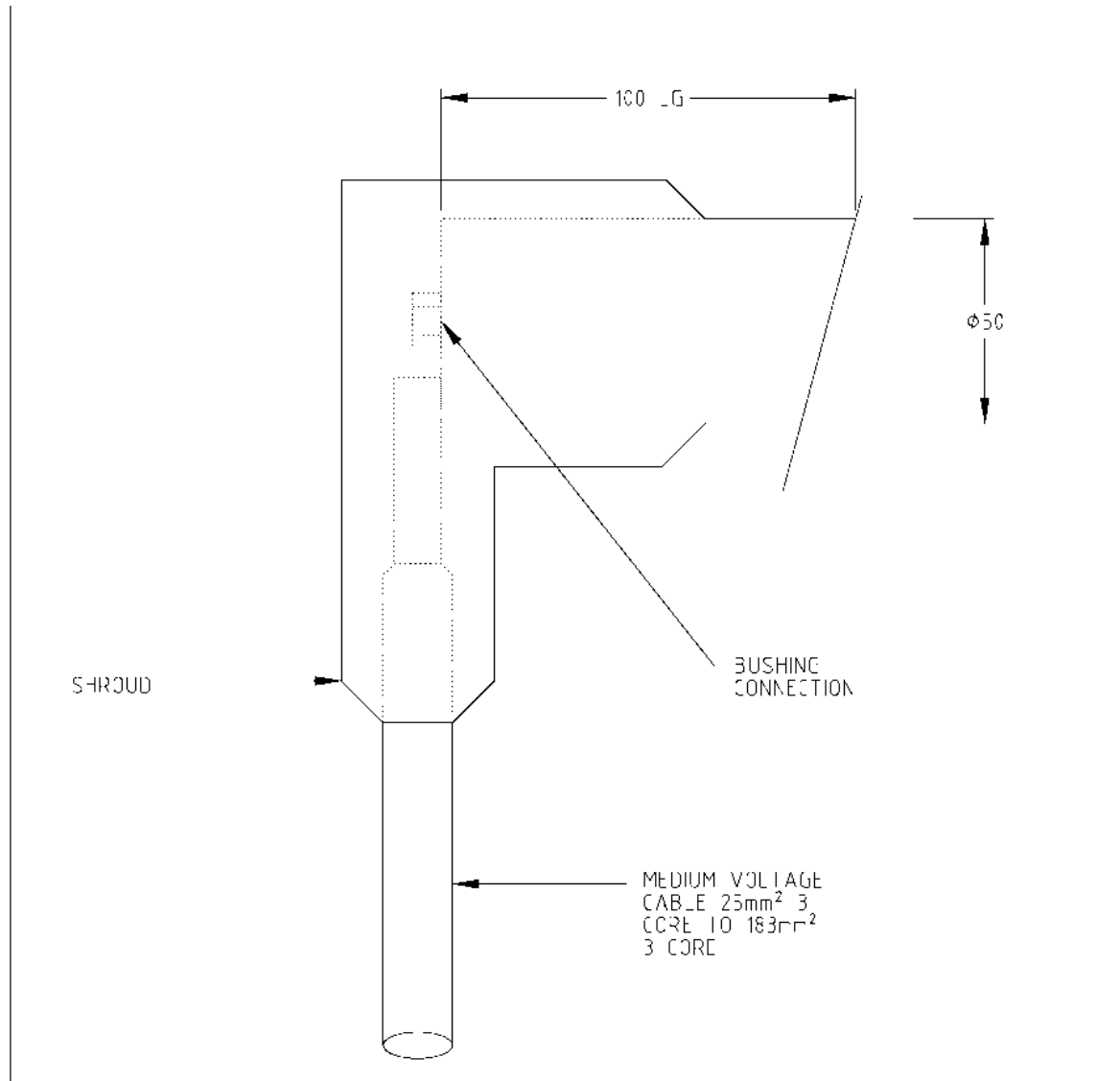




Figure D2: - Medium voltage cable connection to bushing terminal

APPENDIX E – QUALITY ASSURANCE (TO BE COMPLETED BY STORES)

DOCUMENT NUMBER		HPC-8DJ-03-0001-2012					QUALITY ASSURANCE		DM NUMBER	
DEVICE DESCRIPTION		LABEL MATERIAL NO.					CABLE ACCESSORIES PURCHASE		ASSET OWNER	
		ASSET ID/ STOCK NO			DIMENSION					
MANUFACTURER										
ITEM	OPERATION/EQUIPMENT/FACILITY			DOCUMENT REF.	WHO CHECKS	INITIAL	DATE/TIME	QUALITY ASSURANCE CRITERIA	PASS Y/N	COMMENTS
1	LABELLING									
1.1	Name of Manufacturer							*****		
1.2	Week & Year of Manufacture							MM/CCYY		
1.3	Name of Accessory and Range							*****		
1.4	Reference / catalogue number							*****		
1.5	Rated Voltage							33 kV / 22 kV		
1.6	Weight							< 20 kg		
1.7	Batch Number							*****		
1.8	Shelf Life							years		
1.9	End of Life (EOF)							MM/CCYY		
1.10	Termite/Water Protection							*****		

2	CONTENTS							
2.1	Installation Instructions					Clear, Legible and in English		
2.2	Bill of Materials					Clear, Legible and in English		
2.3	Material Safety Data Sheets					Clear, Legible and in English of all materials		
2.4	Accessories					As per Bill of Materials		
2.5	Test and Inspection Reports					As per Standards referenced in the specification.		
3	PACKAGING							
3.1	Accessory in Cardboard box					Strong enough to prevent mechanical damage		
3.2	Items in Clear Plastic					Easily identifiable through plastic		
3.3	Compound Packaging					Resistant to inadvertent puncture or handling		
3.4	Items Individually Marked					Each item clearly marked (identifiable) or placed in a clear plastic package with labelling there-on		
SYMBOLS AND ABBREVIATIONS								
H = HOLD POINT		S = SUPERVISOR						
W = WITNESS POINT		T = TECHNICIAN, EL = ELECTRICIAN		REVISION				
V = VERIFICATION POINT		E = ENGINEER		DATE				
S/C = SUBCONTRACTOR		PM = PROJECT MANAGER		APPROVED BY				

APPENDIX F – ENQUIRY DOCUMENT: SCHEDULES A & B

	SPECIFICATION ENQUIRY	HPC-8DJ-03-0001-2012
	VENDOR'S NAME	
	DATE	

TECHNICAL SCHEDULES A & B


ITEM 1: Joint kits for single-core XLPE cable

VOLTAGE	33 kV	33 kV	33 kV	33 kV	22 kV	22 kV	22 kV	22 kV	
ITEM	1.1	1.2	1.3	1.4	1.5	1.6	1.7	1.8	
RANGE	50	150-185	500-630	1000	35-95	95-240	185-400	500-800	

SCHEDULE A: Horizon Power's specific requirements

SCHEDULE B: Particulars of equipment to be supplied (to be completed by Vendor)

Item	Clause	Description	Schedule A	Schedule B
		Distribution Standard Buyers Guide drawing		xxxx
1	3.1.1.1	Cable parameters Rated voltage (kV) Type of cable: AS/NZS 1429.1 Type of armouring (SWA/None) Type of conductor (Stranded Cu/Al) Type of serving (PVC/PE)	As above SWA PVC	 xxxx xxxx xxxx
2	3.2.2 Table 7 11.2.5	Joint requirements Accessory range (mm ²) Type (Straight, Transition) Impact test required (Yes/No)	According to listed items Straight Yes	 xxxx xxxx xxxx
3	3.10.1 d) 4. 2)	Joint characteristics Jointing method (Heatshrink only) Components with limited shelf life? (Yes/No) State type of components and expected shelf life Tools required for preparation of cable and installation of joint Approximate time required for preparation of cable and completion of joint (min.)	 xxxx xxxx xxxx xxxx	
4	11.1.1 1) 11.1.1 2) 11.1.1 3) 12.3 3.10.2 1) c) 12.1 12.4	Type test certificate requirements Tested cable identified according to Appendix B Connector/s correctly identified? Accessory correctly identified? Type test certificate provided according to IEC 60502-4, Table 5? Bill of materials included? Installation instructions included? Sample to be provided (yes/no)	 xxxx xxxx xxxx xxxx xxxx Yes	
5		Manufacturer Brand / Catalogue No. / Model Country of Manufacture Termite/Water Protection	 Yes	 xxxx

	SPECIFICATION ENQUIRY	HPC-8DJ-03-0001-2012
	VENDOR'S NAME	
	DATE	

TECHNICAL SCHEDULES A & B

ITEM 2: Transition joint kits for three-core impregnated paper (MIND) cable to single-core XLPE cable

VOLTAGE	22 kV	22 kV	22 kV						
ITEM	2.1	2.2	2.3						
RANGE	35-70	185-240	185-400						


NOTE: Transition joint as per clause 3.8 7)

SCHEDULE A: Horizon Power's specific requirements

SCHEDULE B: Particulars of equipment to be supplied (to be completed by Vendor)

Item	Clause	Description	Schedule A	Schedule B
		Distribution Standard Buyers Guide drawing		xxxx
1	3.1.1.1	Cable parameters Rated voltage (kV) Cables to be joined: Type of cable: AS/NZS 1429.1 Type of armouring (SWA/None) Type of conductor (Stranded Cu/Al) Type of serving (PVC/PE) Type of cable: AS/NZS 1026 Type of armouring (SWA/GDSTA) Type of conductor (Stranded Cu/Al) Core screening (Individual/Collective) Type of serving (PVC/PE/ Fibrous)	As above Non-draining GDSTA Cu Individual PVC	xxxx xxxx xxxx xxxx xxxx xxxx xxxx
2	3.2.2 Table 7 11.2.5	Joint requirements Accessory range (mm ²) Type (straight, transition) Impact test required (yes/no)	According to listed items Transition No	xxxx xxxx xxxx
3	3.10.1 d) 4. 2)	Joint characteristics Jointing method (Heatshrink only) Components with limited shelf life? (Yes/No) State type of components and expected shelf life Tools required for preparation of cable and installation of joint Approximate time required for preparation of cable and completion of joint (min.)	xxxx xxxx xxxx xxxx xxxx	
4	11.1.1 1) 11.1.1 2) 11.1.1 3) 12.3 3.10.2 1) c) 12.1 12.4	Type test certificate requirements Tested cable identified according to Appendix B Connector/s correctly identified? Accessory correctly identified? Type test certificate provided according to IEC 60502-4, Table 5 / IEC 60055-1, Table 3? Bill of materials included? Installation instructions included? Sample to be provided (yes/no)	xxxx xxxx xxxx xxxx xxxx xxxx Yes	

Item	Clause	Description	Schedule A	Schedule B
5		Manufacturer Brand / Catalogue No. / Model Country of Manufacture Termite/Water Protection	Yes	xxxx

	SPECIFICATION ENQUIRY	HPC-8DJ-03-0001-2012
	VENDOR'S NAME	
	DATE	

TECHNICAL SCHEDULES A & B

ITEM 3: Termination kits for single-core XLPE cable


VOLTAGE	33 kV	33 kV	33 kV	33 kV	22 kV	22 kV	22 kV	22 kV	
ITEM	3.1	3.2	3.3	3.4	3.5	3.6	3.7	3.8	
RANGE	50	150-185	630	1000	35-95	95-185	185-400	400-630	

NOTE: Termination as per clause 3.8 6)

SCHEDULE A: Horizon Power's specific requirements

SCHEDULE B: Particulars of equipment to be supplied (to be completed by Vendor)

Item	Clause	Description	Schedule A	Schedule B
		Distribution Standard Buyers Guide drawing		xxxx
1	3.1.1.1	Cable parameters Rated voltage (kV) Type of cable: AS/NZS 1429.1 Type of armouring (SWA/None) Type of conductor (Stranded Cu/Al) Type of serving (PVC/PE)	As above SWA Cu PVC	 xxxx xxxx xxxx xxxx
2	3.3.2 Table 8 3.3.2	Termination requirements Accessory range (mm ²) Application (Indoor/Outdoor)	According to listed items Both	 xxxx xxxx
3	3.3.2 3) 3.3.4 3.7 8) 3.10.1 d) 4. 2)	Termination characteristics Termination method (Heatshrink, Coldshrink, etc.) Termination creepage distance (mm) Termination tail length (mm) Method of water blocking Components with limited shelf life? (Yes/No) State type of components and expected shelf life Tools required for preparation of cable and installation of termination Approximate time required for preparation of cable and completion of termination (min.)	 xxxx xxxx xxxx xxxx xxxx xxxx xxxx	
4	11.1.1 1) 11.1.1 2) 11.1.1 3) 12.3 3.10.2 1) c) 12.1 12.4	Type test certificate requirements Tested cable identified according to Appendix B Connector/s correctly identified? Accessory correctly identified? Type test certificate provided according to IEC 60502-4, Table 4? Bill of materials included? Installation instructions included? Sample to be provided (yes/no)	 xxxx xxxx xxxx xxxx xxxx xxxx Yes	
5		Manufacturer Brand / Catalogue No. / Model Country of Manufacture		

	SPECIFICATION ENQUIRY	HPC-8DJ-03-0001-2012
	VENDOR'S NAME	
	DATE	

TECHNICAL SCHEDULES A & B

ITEM 4: Termination kits for three-core impregnated paper (MIND) cable


VOLTAGE	22 kV	22 kV	11 kV						
ITEM	4.1	4.2	4.3						
RANGE	70	185-240	50						

NOTE: Termination as per clause 3.8 6)

SCHEDULE A: Horizon Power's specific requirements

SCHEDULE B: Particulars of equipment to be supplied (to be completed by Vendor)

Item	Clause	Description	Schedule A	Schedule B
		Distribution Standard Buyers Guide drawing		xxxx
1	3.1.1.1	Cable parameters Rated voltage (kV) Type of cable: AS/NZS 1026 Type of armouring (SWA/GDSTA) Type of conductor (Stranded Cu/Al) Core screening (Individual/Collective) Type of serving (PVC/PE/ Fibrous)	As above Non-draining GDSTA Cu Individual PVC	xxxx xxxx xxxx xxxx xxxx
2	3.3.2 Table 8 3.3.2	Termination requirements Accessory range (mm ²) Application (Indoor/Outdoor)	According to listed items Both	xxxx xxxx
3	3.3.2 3) 3.3.4 3.7 8) 3.10.1 d) 4. 2)	Termination characteristics Termination method (Heatshrink, Coldshrink, etc.) Termination creepage distance (mm) Termination tail length (mm) Method of water blocking Components with limited shelf life? (Yes/No) State type of components and expected shelf life Tools required for preparation of cable and installation of termination Approximate time required for preparation of cable and completion of termination (min.)	xxxx xxxx xxxx xxxx xxxx xxxx xxxx	
4	11.1.1 1) 11.1.1 2) 11.1.1 3) 12.3 3.10.2 1) c) 12.1 12.4	Type test certificate requirements Tested cable identified according to Appendix B Connector/s correctly identified? Accessory correctly identified? Type test certificate provided according to IEC 60055-1, Table 2? Bill of materials included? Installation instructions included? Sample to be provided (yes/no)	xxxx xxxx xxxx xxxx xxxx xxxx Yes	
5		Manufacturer Brand / Catalogue No. / Model Country of Manufacture		

	SPECIFICATION ENQUIRY	HPC-8DJ-03-0001-2012
	VENDOR'S NAME	
	DATE	

TECHNICAL SCHEDULES A & B

ITEM 5: Extensible screened separable connectors

VOLTAGE	33 kV	33 kV	33 kV	33 kV	22 kV	22 kV	22 kV	22 kV	
ITEM	5.1	5.2	5.3	5.4	5.5	5.6	5.7	5.8	
RANGE	50	50	50-95	185-300	35	35	185-400	630	

SCHEDULE A: Horizon Power's specific requirements

SCHEDULE B: Particulars of equipment to be supplied (to be completed by Vendor)

Item	Clause	Description	Schedule A	Schedule B
		Distribution Standard Buyers Guide drawing		xxxx
1	3.1.1.1	Cable parameters Rated voltage (kV) Type of cable: (Impregnated-paper/XLPE) Type of conductor (Stranded Cu/Al)	As above XLPE Cu	xxxx xxxx
2	3.3.2 Table 8 3.4.2 1) c) 3.4.2 2)	Connector requirements Accessory range (mm ²) Cable size to be terminated (mm ²) Trifurcating kit to be provided? Intermediate bushings to be provided End plug and test point caps to be provided Blank insert to be provided	See standard ranges xxxx Yes/No Yes/No Yes/No Yes/No	xxxx
3	11.2.4 3) 3.4.1 f) 4. 2)	Connector characteristics Connector material Method of installation Earthing kit tested subjected to thermal short-circuit test (screen)? Minimum recommended clearances: a) Phase-to-phase (mm) b) Phase-to-earth (mm) Tools required for preparation of cable and installation of separable connector Approximate time required for preparation of cable and installation of three connectors (min.)	xxxx xxxx xxxx xxxx xxxx xxxx xxxx xxxx	
4	11.1.1 1) 11.1.1 2) 11.1.1 3) 12.3 3.10.2 1) c) 12.1 12.4	Type test certificate requirements Tested cable identified according to Appendix B Connector/s correctly identified? Accessory correctly identified? Type test certificate provided according to IEC 60502-4, Table 7? Bill of materials included? Installation instructions included? Sample to be provided (yes/no)	xxxx xxxx xxxx xxxx xxxx xxxx Yes	
5		Manufacturer Brand / Catalogue No. / Model Country of Manufacture		

APPENDIX G – COMPLIANCE DOCUMENT: SCHEDULE C

The Vendor shall indicate below whether this offer is fully compliant with the nominated clause in this Specification. A **YES** shall ONLY be indicated if the offer is 100% compliant with the relevant Clause. If **NO** is indicated and supporting documents are submitted, then mark the **ATT** box with the attachment number

CLAUSE NUMBER		YES	NO	ATT.
1.	SCOPE			
2.	NORMATIVE REFERENCES			
2.1	Standards			
2.2	Definitions and Abbreviations			
2.2.1	<i>Definitions</i>			
2.2.2	<i>Abbreviations</i>			
3	REQUIREMENTS			
3.1	<i>Power System Particulars</i>			
3.1.1	<i>Rated Voltages</i>	<input type="checkbox"/>	<input type="checkbox"/>	<input type="checkbox"/>
3.1.2	<i>Design Fault Levels</i>	<input type="checkbox"/>	<input type="checkbox"/>	<input type="checkbox"/>
3.1.3	<i>Maximum Conductor Temperatures</i>	<input type="checkbox"/>	<input type="checkbox"/>	<input type="checkbox"/>
3.1.4	<i>Nominal System Frequency</i>	<input type="checkbox"/>	<input type="checkbox"/>	<input type="checkbox"/>
3.1.5	<i>System Insulation Levels</i>	<input type="checkbox"/>	<input type="checkbox"/>	<input type="checkbox"/>
3.2	<i>Service Conditions</i>			
3.2.1	<i>Environmental Conditions</i>	<input type="checkbox"/>	<input type="checkbox"/>	<input type="checkbox"/>
3.2.2	<i>Operating Conditions</i>	<input type="checkbox"/>	<input type="checkbox"/>	<input type="checkbox"/>
3.3	<i>Applicable Cables for Accessories</i>	<input type="checkbox"/>	<input type="checkbox"/>	<input type="checkbox"/>
3.3.1	<i>MV Cables – XLPE Insulated</i>	<input type="checkbox"/>	<input type="checkbox"/>	<input type="checkbox"/>
3.3.2	<i>MV Cables – PILC</i>	<input type="checkbox"/>	<input type="checkbox"/>	<input type="checkbox"/>
3.4	<i>Jointing Kits</i>			
3.4.1	<i>General</i>	<input type="checkbox"/>	<input type="checkbox"/>	<input type="checkbox"/>
3.4.2	<i>Additional Requirements for Water Logged Ground</i>	<input type="checkbox"/>	<input type="checkbox"/>	<input type="checkbox"/>
3.4.3	<i>Joint Design</i>	<input type="checkbox"/>	<input type="checkbox"/>	<input type="checkbox"/>
3.4.3.1	<i>Compound</i>	<input type="checkbox"/>	<input type="checkbox"/>	<input type="checkbox"/>
3.4.3.2	<i>Joint Connectors</i>	<input type="checkbox"/>	<input type="checkbox"/>	<input type="checkbox"/>
3.5	<i>Termination Kits</i>			
3.5.1	<i>General</i>	<input type="checkbox"/>	<input type="checkbox"/>	<input type="checkbox"/>
3.5.2	<i>Termination Design</i>	<input type="checkbox"/>	<input type="checkbox"/>	<input type="checkbox"/>
3.5.1.1	<i>Compound</i>	<input type="checkbox"/>	<input type="checkbox"/>	<input type="checkbox"/>
3.5.1.2	<i>Termination Connectors</i>	<input type="checkbox"/>	<input type="checkbox"/>	<input type="checkbox"/>

CLAUSE NUMBER		YES	NO	ATT.
3.5.3	<i>Identification</i>	<input type="checkbox"/>	<input type="checkbox"/>	<input type="checkbox"/>
3.5.4	<i>Termination Tail Length</i>	<input type="checkbox"/>	<input type="checkbox"/>	<input type="checkbox"/>
3.6	Separable Insulated Connectors	<input type="checkbox"/>	<input type="checkbox"/>	<input type="checkbox"/>
3.6.1	<i>Unscreened Separable Connectors</i>	<input type="checkbox"/>	<input type="checkbox"/>	<input type="checkbox"/>
3.6.2	<i>Screened Separable Connectors</i>	<input type="checkbox"/>	<input type="checkbox"/>	<input type="checkbox"/>
3.7	Sealing End Caps and Sleeving	<input type="checkbox"/>	<input type="checkbox"/>	<input type="checkbox"/>
3.8	Accessory Earthing	<input type="checkbox"/>	<input type="checkbox"/>	<input type="checkbox"/>
3.9	Special Requirements	<input type="checkbox"/>	<input type="checkbox"/>	<input type="checkbox"/>
3.10	Conditions and Range of Approval	<input type="checkbox"/>	<input type="checkbox"/>	<input type="checkbox"/>
3.11	Marking/Packing			
3.11.1	<i>Marking</i>	<input type="checkbox"/>	<input type="checkbox"/>	<input type="checkbox"/>
3.11.2	<i>Packing</i>	<input type="checkbox"/>	<input type="checkbox"/>	<input type="checkbox"/>
3.12	Tagging of Equipment	<input type="checkbox"/>	<input type="checkbox"/>	<input type="checkbox"/>
4.	TOOLS AND SPARE EQUIPMENT	<input type="checkbox"/>	<input type="checkbox"/>	<input type="checkbox"/>
5.	STORAGE	<input type="checkbox"/>	<input type="checkbox"/>	<input type="checkbox"/>
6.	RELIABILITY	<input type="checkbox"/>	<input type="checkbox"/>	<input type="checkbox"/>
7.	SAFETY	<input type="checkbox"/>	<input type="checkbox"/>	<input type="checkbox"/>
8.	ENVIRONMENTAL CONDITIONS	<input type="checkbox"/>	<input type="checkbox"/>	<input type="checkbox"/>
9.	TESTS			
9.1	Assembly of Accessories to be Tested			
9.1.1	<i>Identification</i>	<input type="checkbox"/>	<input type="checkbox"/>	<input type="checkbox"/>
9.1.2	<i>Test Installation and Connections</i>	<input type="checkbox"/>	<input type="checkbox"/>	<input type="checkbox"/>
9.2	Test Requirements	<input type="checkbox"/>	<input type="checkbox"/>	<input type="checkbox"/>
9.2.1	<i>Type Tests</i>	<input type="checkbox"/>	<input type="checkbox"/>	<input type="checkbox"/>
9.2.2	<i>Routine Tests</i>	<input type="checkbox"/>	<input type="checkbox"/>	<input type="checkbox"/>
9.2.3	<i>Accessory Test Requirements</i>	<input type="checkbox"/>	<input type="checkbox"/>	<input type="checkbox"/>
9.2.4	<i>Batch Tests</i>	<input type="checkbox"/>	<input type="checkbox"/>	<input type="checkbox"/>
9.2.5	<i>Impact Test on Cable Joints for Armoured Cables</i>	<input type="checkbox"/>	<input type="checkbox"/>	<input type="checkbox"/>
9.3	Schedule of Tests			
9.3.1	<i>Electrical Heat Cycle</i>	<input type="checkbox"/>	<input type="checkbox"/>	<input type="checkbox"/>

CLAUSE NUMBER		YES	NO	ATT.
9.3.2	<i>Thermal Stability of Insulated System Under Load</i>	<input type="checkbox"/>	<input type="checkbox"/>	<input type="checkbox"/>
9.3.3	<i>Mechanical Tests</i>	<input type="checkbox"/>	<input type="checkbox"/>	<input type="checkbox"/>
9.4	Acceptance of Alternative Type Tests	<input type="checkbox"/>	<input type="checkbox"/>	<input type="checkbox"/>
10.	DOCUMENTATION AND SAMPLES	<input type="checkbox"/>	<input type="checkbox"/>	<input type="checkbox"/>
10.1	Installation Instructions	<input type="checkbox"/>	<input type="checkbox"/>	<input type="checkbox"/>
10.2	Bill of Materials	<input type="checkbox"/>	<input type="checkbox"/>	<input type="checkbox"/>
10.3	Type Test Certificates/Reports	<input type="checkbox"/>	<input type="checkbox"/>	<input type="checkbox"/>
10.4	Samples	<input type="checkbox"/>	<input type="checkbox"/>	<input type="checkbox"/>
11.	TRAINING	<input type="checkbox"/>	<input type="checkbox"/>	<input type="checkbox"/>

APPENDIX I – ITEM DESCRIPTION: SCHEDULE D

ITEM	DESCRIPTION	DISTRIBUTION STANDARD DRAWING
1	Joint kits for single-core XLPE cable	
1.1	Short Description: JOINT KIT 1C 33 kV 50 SQ XLPE Technical Description: STRAIGHT JOINT; ELECT CABLE; 19.1/33 kV XLPE INSULATED CABLE; 1 CORE 50 mm SQ Kit consists of: INSTRUCTION SHEET; BILL OF MATERIALS; INSULATING COMPONENTS; EARTHING KIT AND CLEANING KIT	
1.2	Short Description: JOINT KIT 1C 33 KV 150-185 SQ XLPE Technical Description: STRAIGHT JOINT; ELECT CABLE; 19.1/33 kV XLPE INSULATED CABLE; 1 CORE 150 mm SQ to 185 mm SQ Kit consists of: INSTRUCTION SHEET; BILL OF MATERIALS; INSULATING COMPONENTS; EARTHING KIT AND CLEANING KIT	
1.3	Short Description: JOINT KIT 1C 33 KV 500-630 SQ XLPE Technical Description: STRAIGHT JOINT; ELECT CABLE; 19.1/33 kV XLPE INSULATED CABLE; 1 CORE 500 mm SQ to 630 mm SQ Kit consists of: INSTRUCTION SHEET; BILL OF MATERIALS; INSULATING COMPONENTS; EARTHING KIT AND CLEANING KIT	
1.4	Short Description: JOINT KIT 1C 33 KV 1000 SQ XLPE Technical Description: STRAIGHT JOINT; ELECT CABLE; 19.1/33 kV XLPE INSULATED CABLE; 1 CORE 1000 mm SQ Kit consists of: INSTRUCTION SHEET; BILL OF MATERIALS; INSULATING COMPONENTS; EARTHING KIT AND CLEANING KIT	
1.5	Short Description: JOINT KIT 1C 22 kV 35-95 SQ XLPE Technical Description: STRAIGHT JOINT; ELECT CABLE; 12.7/22 kV XLPE INSULATED CABLE; 1 CORE 35 mm SQ to 95 mm SQ Kit consists of: INSTRUCTION SHEET; BILL OF MATERIALS; INSULATING COMPONENTS; EARTHING KIT AND CLEANING KIT	
1.6	Short Description: JOINT KIT 1C 22 kV 95-240 SQ XLPE Technical Description: STRAIGHT JOINT; ELECT CABLE; 12.7/22 kV XLPE INSULATED CABLE; 1 CORE 95 mm SQ to 240 mm SQ Kit consists of: INSTRUCTION SHEET; BILL OF MATERIALS; INSULATING COMPONENTS; EARTHING KIT AND CLEANING KIT	

ITEM	DESCRIPTION	DISTRIBUTION STANDARD DRAWING
1.7	Short Description: JOINT KIT 1C 22 kV 185-400 SQ XLPE Technical Description: STRAIGHT JOINT; ELECT CABLE; 12.7/22 kV XLPE INSULATED CABLE; 1 CORE 185 mm SQ to 400 mm SQ Kit consists of: INSTRUCTION SHEET; BILL OF MATERIALS; INSULATING COMPONENTS; EARTHING KIT AND CLEANING KIT	
1.8	Short Description: JOINT KIT 1C 22 kV 500-800 SQ XLPE Technical Description: STRAIGHT JOINT; ELECT CABLE; 12.7/22 kV XLPE INSULATED CABLE; 1 CORE 500 mm SQ to 800 mm SQ Kit consists of: INSTRUCTION SHEET; BILL OF MATERIALS; INSULATING COMPONENTS; EARTHING KIT AND CLEANING KIT	
2	Transition joint kits for three-core impregnated paper cable to single-core XLPE cable	
2.1	Short Description: JOINT KIT 3C 22 kV 35-70 SQ PILC TO 3 x 1C 35 SQ XLPE Technical Description: STRAIGHT TRANSITION JOINT; ELECT CABLE; 12.7/22 kV PILC AND XLPE INSULATED CABLE; 3 CORE 35 mm SQ to 70 mm SQ PILC; 3 x 1 CORE 35 mm SQ XLPE Kit consists of: INSTRUCTION SHEET; BILL OF MATERIALS; INSULATING COMPONENTS; EARTHING KIT AND CLEANING KIT	
2.2	Short Description: JOINT KIT 3C 22 kV 185-240 SQ PILC TO 3 x 1C 185-240 SQ XLPE Technical Description: STRAIGHT TRANSITION JOINT; ELECT CABLE; 12.7/22 kV PILC AND XLPE INSULATED CABLE; 3 CORE 185 mm SQ to 240 mm SQ PILC; 3 x 1 CORE 185 mm SQ to 240 mm SQ XLPE Kit consists of: INSTRUCTION SHEET; BILL OF MATERIALS; INSULATING COMPONENTS; EARTHING KIT AND CLEANING KIT	
3	Termination kits for single-core XLPE cable	
3.1	Short Description: TERMINATION KIT 1C 33 kV 50 SQ XLPE Technical Description: OUTDOOR TERMINATION; ELECT CABLE; 19.1/33 kV XLPE INSULATED CABLE; 1 CORE 50 mm SQ Kit consists of: INSTRUCTION SHEET; BILL OF MATERIALS; INSULATING COMPONENTS; EARTHING KIT AND CLEANING KIT	
3.2	Short Description: TERMINATION KIT 1C 33 KV 150-185 SQ XLPE Technical Description: OUTDOOR TERMINATION; ELECT CABLE; 19.1/33 kV XLPE INSULATED CABLE; 1 CORE 150 mm SQ to 185 mm SQ Kit consists of: INSTRUCTION SHEET; BILL OF MATERIALS; INSULATING COMPONENTS; EARTHING KIT AND CLEANING KIT	

ITEM	DESCRIPTION	DISTRIBUTION STANDARD DRAWING
3.3	Short Description: TERMINATION KIT 1C 33 KV 630 SQ XLPE Technical Description: OUTDOOR TERMINATION; ELECT CABLE; 19.1/33 kV XLPE INSULATED CABLE; 1 CORE 630 mm SQ Kit consists of: INSTRUCTION SHEET; BILL OF MATERIALS; INSULATING COMPONENTS; EARTHING KIT AND CLEANING KIT	
3.4	Short Description: TERMINATION KIT 1C 33 KV 1000 SQ XLPE Technical Description: OUTDOOR TERMINATION; ELECT CABLE; 19.1/33 kV XLPE INSULATED CABLE; 1 CORE 1000 mm SQ Kit consists of: INSTRUCTION SHEET; BILL OF MATERIALS; INSULATING COMPONENTS; EARTHING KIT AND CLEANING KIT	
3.5	Short Description: TERMINATION KIT 1C 22 KV 35-95 SQ XLPE Technical Description: OUTDOOR TERMINATION; ELECT CABLE; 12.7/22 kV XLPE INSULATED CABLE; 1 CORE 35 mm SQ to 95 mm SQ Kit consists of: INSTRUCTION SHEET; BILL OF MATERIALS; INSULATING COMPONENTS; EARTHING KIT AND CLEANING KIT	
3.6	Short Description: TERMINATION KIT 1C 22 KV 95-185 SQ XLPE Technical Description: OUTDOOR TERMINATION; ELECT CABLE; 12.7/22 kV XLPE INSULATED CABLE; 1 CORE 95 mm SQ to 185 mm SQ Kit consists of: INSTRUCTION SHEET; BILL OF MATERIALS; INSULATING COMPONENTS; EARTHING KIT AND CLEANING KIT	
3.7	Short Description: TERMINATION KIT 1C 22 KV 185-400 SQ XLPE Technical Description: OUTDOOR TERMINATION; ELECT CABLE; 12.7/22 kV XLPE INSULATED CABLE; 1 CORE 185 mm SQ to 400 mm SQ Kit consists of: INSTRUCTION SHEET; BILL OF MATERIALS; INSULATING COMPONENTS; EARTHING KIT AND CLEANING KIT	
3.8	Short Description: TERMINATION KIT 1C 22 KV 400-630 SQ XLPE Technical Description: OUTDOOR TERMINATION; ELECT CABLE; 12.7/22 kV XLPE INSULATED CABLE; 1 CORE 400 mm SQ to 630 mm SQ Kit consists of: INSTRUCTION SHEET; BILL OF MATERIALS; INSULATING COMPONENTS; EARTHING KIT AND CLEANING KIT	

ITEM	DESCRIPTION	DISTRIBUTION STANDARD DRAWING
4	Termination kits for three-core impregnated paper cable	
4.1	Short Description: TERMINATION KIT 3C 22 kV 70 SQ PILC Technical Description: TERMINATION; ELECT CABLE; 12.7/22 kV PILC INSULATED CABLE; 3 CORE 70 mm SQ Kit consists of: INSTRUCTION SHEET; BILL OF MATERIALS; INSULATING COMPONENTS; EARTHING KIT AND CLEANING KIT	
4.2	Short Description: TERMINATION KIT 3C 22 kV 185-240 SQ PILC Technical Description: TERMINATION; ELECT CABLE; 12.7/22 kV PILC INSULATED CABLE; 3 CORE 185 mm SQ to 240 mm SQ Kit consists of: INSTRUCTION SHEET; BILL OF MATERIALS; INSULATING COMPONENTS; EARTHING KIT AND CLEANING KIT	
4.3	Short Description: TERMINATION KIT 3C 11 kV 50 SQ PILC Technical Description: TERMINATION; ELECT CABLE; 6.35/11 kV PILC INSULATED CABLE; 3 CORE 50 mm SQ Kit consists of: INSTRUCTION SHEET; BILL OF MATERIALS; INSULATING COMPONENTS; EARTHING KIT AND CLEANING KIT	
5	Separable Insulated Connectors	
5.1	Short Description: CONNECTOR PLUG 33 kV 50 SQ XLPE Technical Description: CONNECTOR PLUG ELECT ELBOW; 19.1/33 kV XLPE INSULATED CABLE; 200 A; 3 x 1 CORE 50 mm SQ Consists of: INSTRUCTION SHEET; BILL OF MATERIALS; INSULATING COMPONENTS; EARTHING KIT AND CLEANING KIT	
5.2	Short Description: CONNECTOR PLUG 33 kV 50 SQ XLPE Technical Description: CONNECTOR PLUG ELECT STRAIGHT; 19.1/33 kV XLPE INSULATED CABLE; 200 A; 3 x 1 CORE 50 mm SQ Consists of: INSTRUCTION SHEET; BILL OF MATERIALS; INSULATING COMPONENTS; EARTHING KIT AND CLEANING KIT	
5.3	Short Description: CONNECTOR PLUG 33 kV 50-95 SQ XLPE Technical Description: CONNECTOR PLUG ELECT ELBOW; 19.1/33 kV XLPE INSULATED CABLE; 630 A; 3 x 1 CORE 50 mm SQ to 95 mm SQ Consists of: INSTRUCTION SHEET; BILL OF MATERIALS; INSULATING COMPONENTS; EARTHING KIT AND CLEANING KIT	

ITEM	DESCRIPTION	DISTRIBUTION STANDARD DRAWING
5.4	Short Description: CONNECTOR PLUG 33 kV 185-300 SQ XLPE Technical Description: CONNECTOR PLUG ELECT ELBOW; 19.1/33 kV XLPE INSULATED CABLE; 630 A; 3 x 1 CORE 185 mm SQ to 300 mm SQ Consists of: INSTRUCTION SHEET; BILL OF MATERIALS; INSULATING COMPONENTS; EARTHING KIT AND CLEANING KIT	
5.5	Short Description: CONNECTOR PLUG 22 kV 35 SQ XLPE Technical Description: CONNECTOR PLUG ELECT ELBOW; 12.7/22 kV XLPE INSULATED CABLE; 200 A; 3 x 1 CORE 35 mm SQ Consists of: INSTRUCTION SHEET; BILL OF MATERIALS; INSULATING COMPONENTS; EARTHING KIT AND CLEANING KIT	
5.6	Short Description: CONNECTOR PLUG 22 kV 35 SQ XLPE Technical Description: CONNECTOR PLUG ELECT STRAIGHT; 12.7/22 kV XLPE INSULATED CABLE; 200 A; 3 x 1 CORE 35 mm SQ Consists of: INSTRUCTION SHEET; BILL OF MATERIALS; INSULATING COMPONENTS; EARTHING KIT AND CLEANING KIT	
6.7	Short Description: CONNECTOR PLUG 22 kV 185-400 SQ XLPE Technical Description: CONNECTOR PLUG ELECT ELBOW; 12.7/22 kV XLPE INSULATED CABLE; 630 A; 3 x 1 CORE 185 mm SQ to 400 mm SQ Consists of: INSTRUCTION SHEET; BILL OF MATERIALS; INSULATING COMPONENTS; EARTHING KIT AND CLEANING KIT	
5.8	Short Description: CONNECTOR PLUG 22 kV 630 SQ XLPE Technical Description: CONNECTOR PLUG ELECT ELBOW; 12.7/22 kV XLPE INSULATED CABLE; 630 A; 3 x 1 CORE 630 mm SQ Consists of: INSTRUCTION SHEET; BILL OF MATERIALS; INSULATING COMPONENTS; EARTHING KIT AND CLEANING KIT	
5.9	Short Description: CONNECTOR TEE 22 kV Technical Description: 22 kV CONNECTOR TEE ELECT ELBOW; Consists of: INSTRUCTION SHEET; BILL OF MATERIALS	
5.10	Short Description: CONNECTOR DEAD END 33 kV Technical Description: 33 kV CONNECTOR CAP; Consists of: INSTRUCTION SHEET; BILL OF MATERIALS	

ITEM	DESCRIPTION	DISTRIBUTION STANDARD DRAWING
5.11	Short Description: CONNECTOR DEAD END 22 kV Technical Description: 22 kV CONNECTOR CAP; Consists of: INSTRUCTION SHEET; BILL OF MATERIALS	
6	Sealing End Caps and Sleeving	
6.1	Short Description: INSULATION SLEEVING 10-35 mm Technical Description: BOOT SHRINK; WATER RESISTANT; RE-USABLE	
6.2	Short Description: INSULATION SLEEVING 35-50 mm Technical Description: BOOT SHRINK; WATER RESISTANT; RE-USABLE	
6.3	Short Description: INSULATION SLEEVING 120-185 mm Technical Description: BOOT SHRINK WATER RESISTANT; RE-USABLE	
6.4	Short Description: INSULATION SLEEVING 185-240 mm Technical Description: BOOT SHRINK; WATER RESISTANT; RE-USABLE	
6.5	Short Description: INSULATION SLEEVING 25-38 mm Technical Description: SLEEVE SHRINK; WATER RESISTANT; RE-USABLE	