



DISTRIBUTION DESIGN
CATALOGUE
Section 03

RE – Running Earth and Earthing

HPC-1DC-07-0003-2014

For application to
Horizon Power
Electricity Distribution Networks

Document Control		
Revision 6 Author	Name: Mondli Moyo Position: Power Systems Engineer	
Reviewed	Name: Paul Savig Position: Standards Engineer	
Endorsed By	Name: Jonathan Choi Position: Standards and Plant Manager	
Approved By	Name: Victor Cheng Position: Manager Engineering and Project Services	
Date Created/Last Updated	15 August 2022	
Review Frequency **	Annually	
Next Review Date **	15 August 2023	

*** Frequency period is dependent upon circumstances– maximum is 5 years from last issue, review, or revision whichever is the latest. If left blank, the default shall be 1 year unless otherwise specified.*

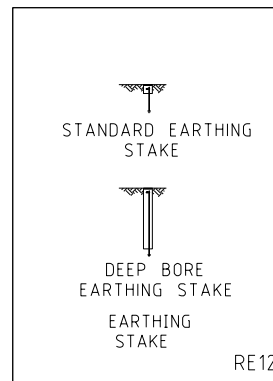
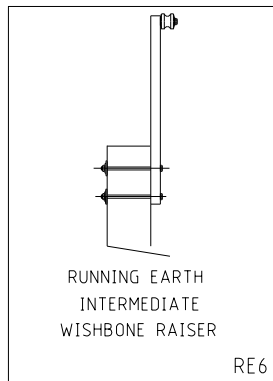
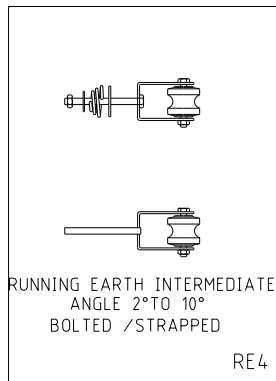
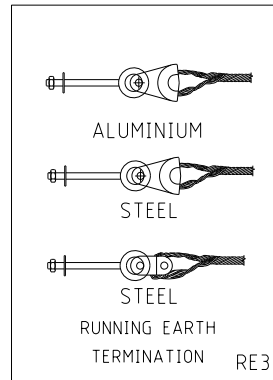
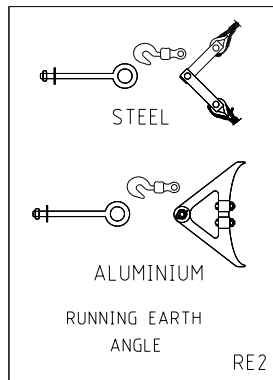
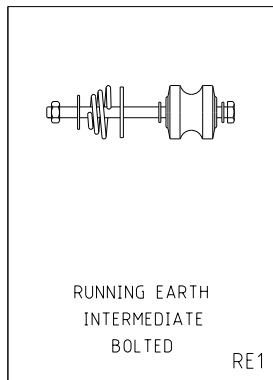
Revision Control		
Revision	Date	Description
7	15/08/2022	Review and Update document

Refer to Appendix A for Full Revision History.

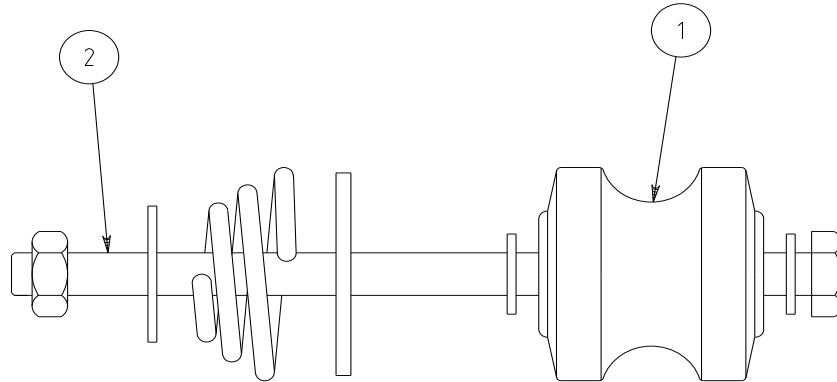
STAKEHOLDERS The following positions shall be consulted if an update or review is required:	NOTIFICATION LIST The following positions shall be notified of any authorised change:
Asset Managers	Field Practice Coordinators
Works Delivery Managers	Logistics Managers
Asset Service Delivery Managers	EPCM Contracts Manager

RUNNING EARTH AND SWITCH WIRE LIST

CU	CU DESCRIPTION
RE1	Running earth – Bolted
RE2 3/275AC	Running earth angle – 3/2.75 SCAC
RE2 3/275SC	Running earth angle – 3/2.75 SCGZ
RE2 7/160SC	Running earth angle – 7/1.60 SCGZ
RE2 7/250AA	Running earth angle – 7/2.50 AAC and AAAC
RE2 7/475AA	Running earth angle – 7/4.75 to 19/3.25 AAC and AAAC
RE3 3/275AC	Running earth termination – 3/2.75 SCAC
RE3 3/275SC	Running earth termination – 3/2.75 SCGZ
RE3 7/160SC	Running earth termination – 7/1.60 SCGZ
RE3 7/250AA	Running earth termination – 7/2.50 AAC and AAAC
RE3 7/475AA	Running earth termination – 7/4.75 AAC and AAAC
RE4B	Running earth intermediate angle 2 to 10 degrees – Bolted
RE4S	Running earth intermediate angle 2 to 10 degrees – Strapped
RE6	Running earth intermediate raiser
RE12S	Earthing – Stake (Standard)
RE12D	Earthing – Stake (Deep Bore)

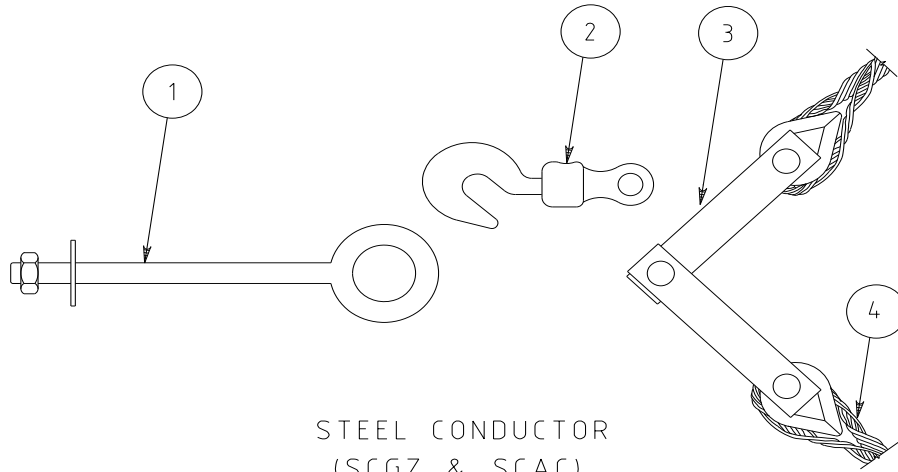


<p>HORIZON POWER</p> <p>DISTRIBUTION DESIGN CATALOGUE</p> <p>OPERATIONS DIVISION</p>	COMPATIBLE UNIT	REVISION 4	DATE AUG 2022
	RE COMPATIBLE UNITS	DRAWING No. RE INDEX	

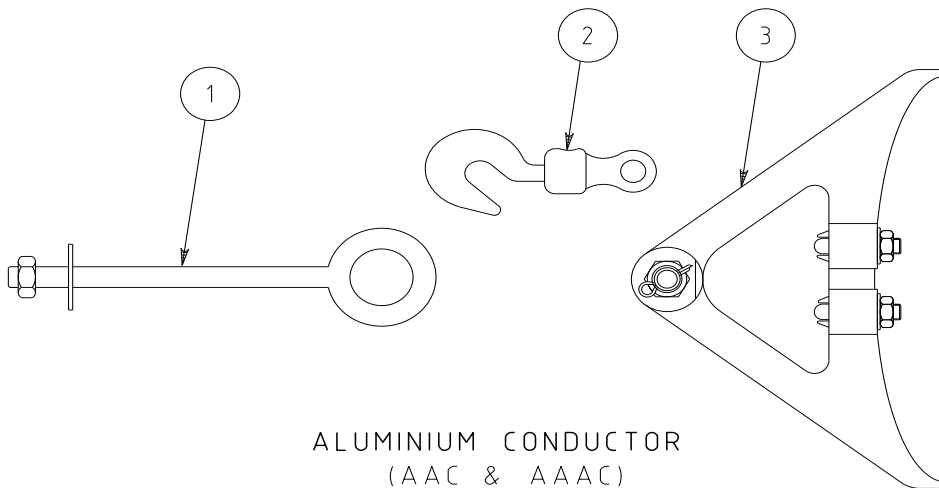


HORIZON POWER DISTRIBUTION DESIGN CATALOGUE OPERATIONS DIVISION	COMPATIBLE UNIT	REVISION 3	DATE FEB 2020
	RUNNING EARTH INTERMEDIATE BOLTED	DRAWING No RE1	

CU		CU DESCRIPTION			
RE1		Running earth intermediate - Bolted			
ITEM NUMBER	STOCK NUMBER	DESCRIPTION	QTY RQD	UNIT OF MEASURE	REMARKS
1	IA0256	shackle insulator	1	ea	
2	AB6733	Pole bolt - M16 x 400 mm long with nut and washers	1	ea	



STEEL CONDUCTOR
(SCGZ & SCAC)



ALUMINIUM CONDUCTOR
(AAC & AAAC)

HORIZON POWER DISTRIBUTION DESIGN CATALOGUE OPERATIONS DIVISION	COMPATIBLE UNIT	REVISION 3	DATE FEB 2020
	RUNNING EARTH ANGLE	DRAWING No RE2	

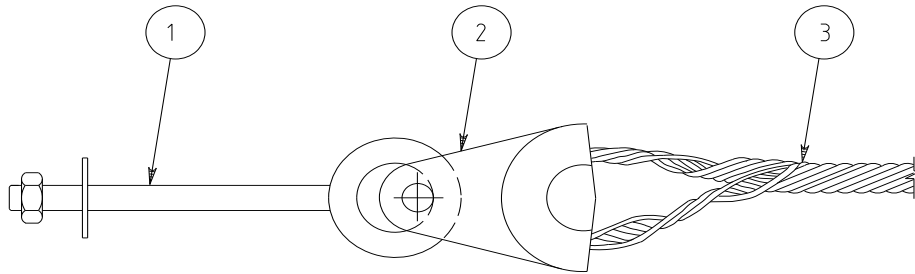
CU		CU DESCRIPTION			
RE2_3/275AC		Running earth angle – 3/2.75 SCAC			
ITEM NUMBER	STOCK NUMBER	DESCRIPTION	QTY RQD	UNIT OF MEASURE	REMARKS
1	AB6024	16 dia eyebolt 350 long with nut and washer	1	ea	
2	CB0017	Hook	1	ea	
2	CS0068	Bracket	1	ea	
3	CA0055	Angle assembly	1	ea	
4	CF0700	Helical termination	2	ea	

CU		CU DESCRIPTION			
RE2_3/275SC		Running earth angle – 3/2.75 SCGZ			
ITEM NUMBER	STOCK NUMBER	DESCRIPTION	QTY RQD	UNIT OF MEASURE	REMARKS
1	AB6024	16 dia eyebolt 350 long with nut and washer	1	ea	
2	CB0017	Hook	1	ea	
2	CS0068	Bracket	1	ea	
3	CA0055	Angle assembly	1	ea	
4	CF0661	Helical termination	2	ea	

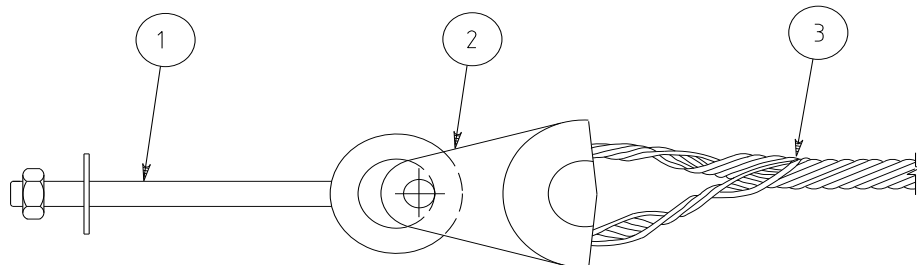
CU		CU DESCRIPTION			
RE2_7/160SC		Running earth angle – 7/1.60 SCGZ			
ITEM NUMBER	STOCK NUMBER	DESCRIPTION	QTY RQD	UNIT OF MEASURE	REMARKS
1	AB6024	16 dia eyebolt 350 long with nut and washer	1	ea	
2	CB0017	Hook	1	ea	
2	CS0068	Bracket	1	ea	
3	CA0055	Angle assembly	1	ea	
4	CF0669	Helical termination	2	ea	

CU		CU DESCRIPTION			
RE2_7/250AA		Running earth angle – 7/2.50 AAC / AAAC			
ITEM NUMBER	STOCK NUMBER	DESCRIPTION	QTY RQD	UNIT OF MEASURE	REMARKS
1	AB6024	16 dia eyebolt 350 long with nut and washer	1	ea	
2	CB0017	Hook	1	ea	
2	CS0068	Bracket	1	ea	
3	CC0167	Angle assembly	1	ea	

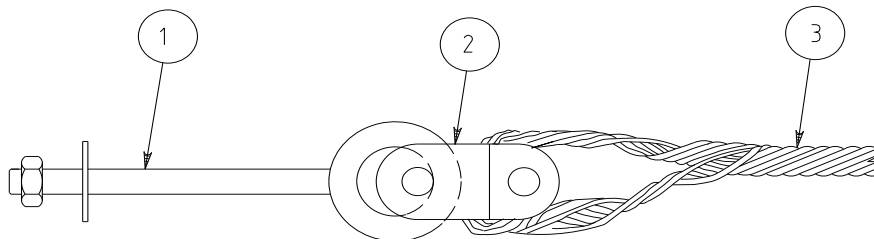
CU		CU DESCRIPTION			
RE2_7/475AA		Running earth angle – 7/4.75 to 19/3.25 AAC / AAAC			
ITEM NUMBER	STOCK NUMBER	DESCRIPTION	QTY RQD	UNIT OF MEASURE	REMARKS
1	AB6024	16 dia eyebolt 350 long with nut and washer	1	ea	
2	CB0017	Hook	1	ea	
2	CS0068	Bracket	1	ea	
3	CC0166	Angle assembly	1	ea	



ALUMINIUM CONDUCTOR
(AAC & AAAC)



STEEL CONDUCTOR
(SCAC)



STEEL CONDUCTOR
(SCGZ)

<p>HORIZON POWER</p> <p>DISTRIBUTION DESIGN CATALOGUE</p> <p>OPERATIONS DIVISION</p>	COMPATIBLE UNIT	REVISION 3	DATE FEB 2020
	RUNNING EARTH TERMINATION	DRAWING No RE3	

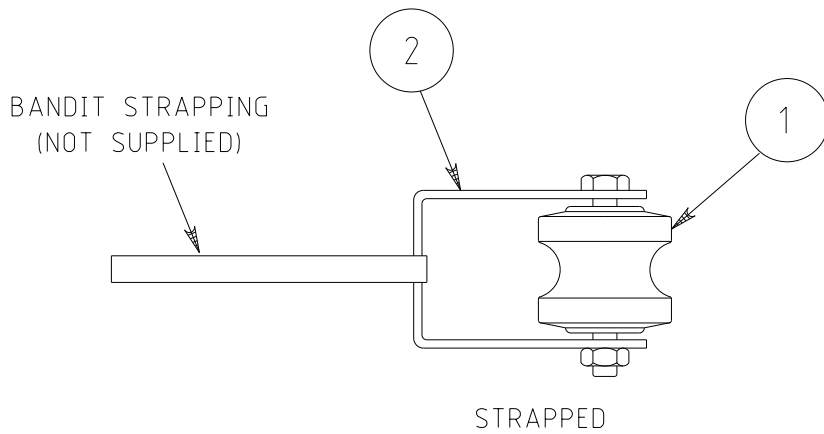
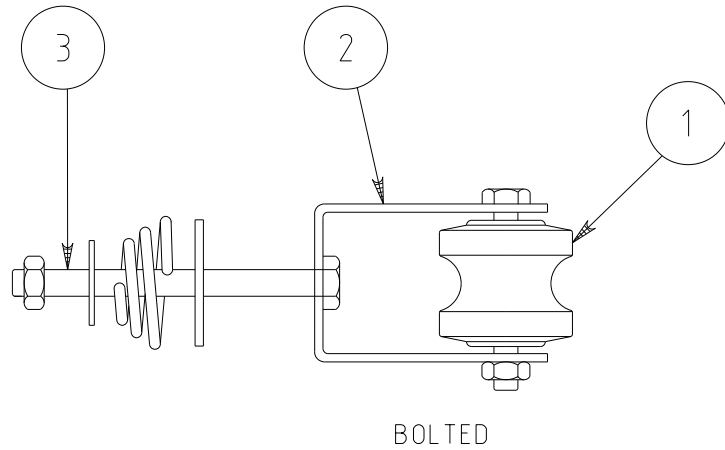
CU		CU DESCRIPTION			
RE3_3/275AC		Running earth termination – 3/2.75 SCAC			
ITEM NUMBER	STOCK NUMBER	DESCRIPTION	QTY RQD	UNIT OF MEASURE	REMARKS
1	AB6024	16 dia eyebolt 350 long with nut and washer	1	ea	
2	CT0011	clevis thimble alum	1	ea	
3	CF0700	Helical termination	1	ea	

CU		CU DESCRIPTION			
RE3_3/275SC		Running earth termination – 3/2.75 SCGZ			
ITEM NUMBER	STOCK NUMBER	DESCRIPTION	QTY RQD	UNIT OF MEASURE	REMARKS
1	AB6024	16 dia eyebolt 350 long with nut and washer	1	ea	
2	CT0037	clevis thimble steel	1	ea	
3	CF0661	Helical termination	1	ea	

CU		CU DESCRIPTION			
RE3_7/160SC		Running earth termination – 7/1.60 SCGZ			
ITEM NUMBER	STOCK NUMBER	DESCRIPTION	QTY RQD	UNIT OF MEASURE	REMARKS
1	AB6024	16 dia eyebolt 350 long with nut and washer	1	ea	
2	CT0037	clevis thimble steel	1	ea	
3	CF0669	Helical termination	1	ea	

CU		CU DESCRIPTION			
RE3_7/250AA		Running earth termination – 7/2.50 AAC/AAAC			
ITEM NUMBER	STOCK NUMBER	DESCRIPTION	QTY RQD	UNIT OF MEASURE	REMARKS
1	AB6024	16 dia eyebolt 350 long with nut and washer	1	ea	
2	CT0011	clevis thimble alum	1	ea	
3	CF0752	Helical termination	1	ea	

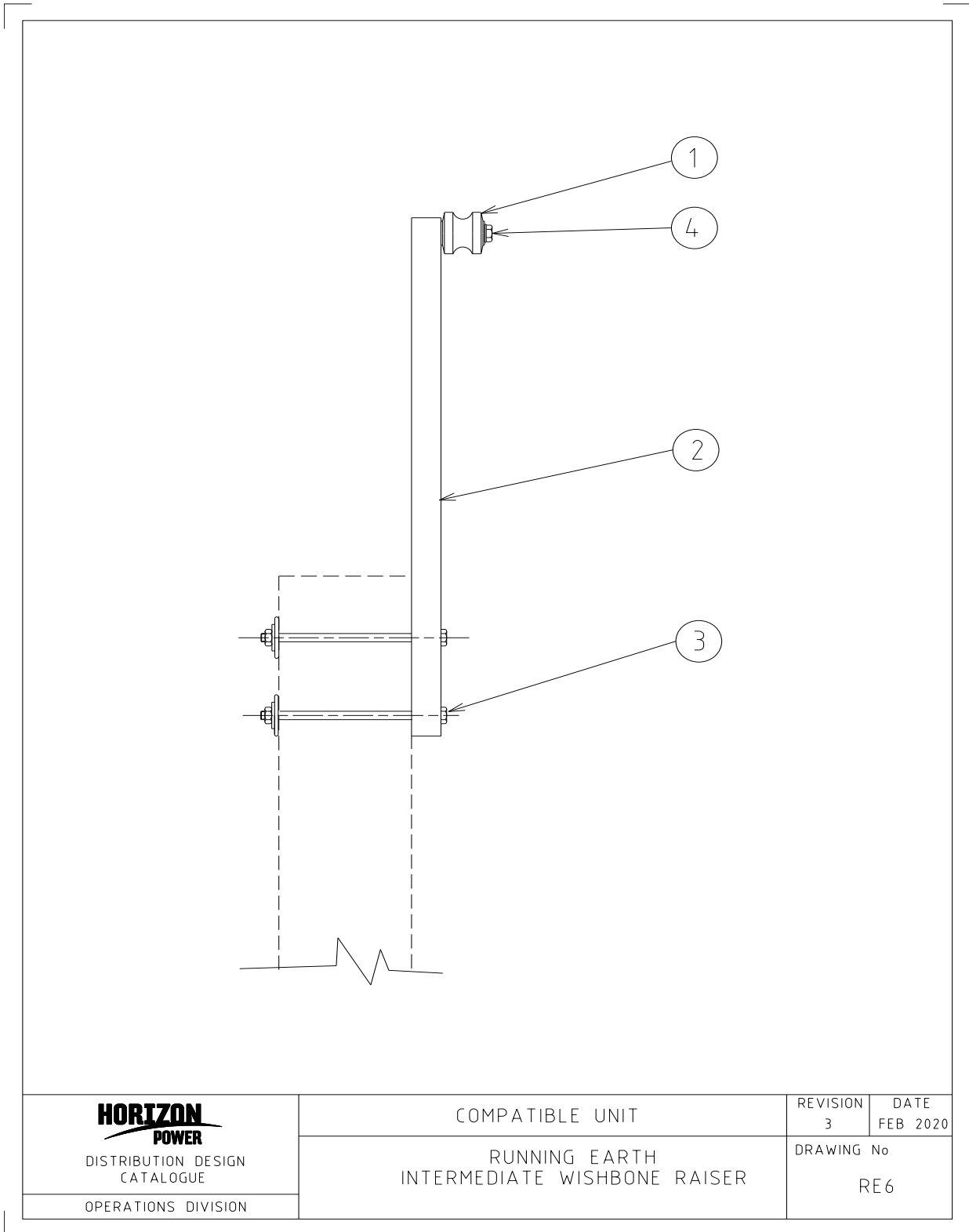
CU		CU DESCRIPTION			
RE3_7/475AA		Running earth termination – 7/4.75 AAC/AAAC			
ITEM NUMBER	STOCK NUMBER	DESCRIPTION	QTY RQD	UNIT OF MEASURE	REMARKS
1	AB6024	16 dia eyebolt 350 long with nut and washer	1	ea	
2	CT0011	clevis thimble alum	1	ea	
3	CF0757	Helical termination	1	ea	



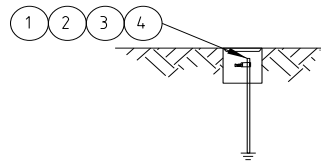
 DISTRIBUTION DESIGN CATALOGUE OPERATIONS DIVISION	COMPATIBLE UNIT	REVISION 3	DATE FEB 2020
	RUNNING EARTH INTERMEDIATE ANGLE 2° TO 10° (BOLTED / STRAPPED)	DRAWING No. RE4	

CU		CU DESCRIPTION			
RE4B		Running earth intermediate angle 2° to 10° - Bolted			
ITEM NUMBER	STOCK NUMBER	DESCRIPTION	QTY RQD	UNIT OF MEASURE	REMARKS
1	IA0256	shackle insulator	1	ea	
2	CB0316	clevis U style with nut and bolt	1	ea	
3	AB6733	Pole bolt - M16 x 400 mm long with nut and washers	1	ea	

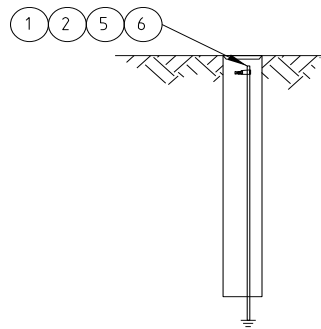
CU		CU DESCRIPTION			
RE4S		Running earth intermediate angle 2° to 10° - Strapped			
ITEM NUMBER	STOCK NUMBER	DESCRIPTION	QTY RQD	UNIT OF MEASURE	REMARKS
1	IA0256	shackle insulator	1	ea	
2	CB0316	clevis U style with nut and bolt	1	ea	



CU		CU DESCRIPTION			
RE6		Running earth intermediate raiser			
ITEM NUMBER	STOCK NUMBER	DESCRIPTION	QTY RQD	UNIT OF MEASURE	REMARKS
1	IA0256	shackle insulator	1	ea	
2	CB0170	earth raiser bracket	1	ea	
3	AB6733	Pole bolt - M16 x 400 mm long with nut and washers	2	ea	
4	AB4611	Bolt – M16 x 120 mm long with nut and washers	1	ea	



STANDARD EARTHING
STAKE



DEEP BORE
EARTHING STAKE

<p>HORIZON POWER</p> <p>DISTRIBUTION CONSTRUCTION STANDARDS</p> <p>OPERATIONS DIVISION</p>	COMPATIBLE UNIT	REVISION 1	DATE FEB 2020
	EARTHING STAKE	DRAWING No RE12	

CU		CU DESCRIPTION			
RE12S		Earthing stake - Standard			
ITEM NUMBER	STOCK NUMBER	DESCRIPTION	QTY RQD	UNIT OF MEASURE	REMARKS
1	CE0201	Earth terminal box	1	ea	
2	CE0058	Earthing clamp	1	ea	
3	CE0078	Coupling Tube ALM NO OCT15	1	ea	
4	CE0135	Rod section 1.4 m long 15 mm diam ALM CTE	2	ea	

CU		CU DESCRIPTION			
RE12D		Earthing stake – Deep Bore			
ITEM NUMBER	STOCK NUMBER	DESCRIPTION	QTY RQD	UNIT OF MEASURE	REMARKS
1	CE0201	Earth terminal box	1	ea	
2	CE0058	Earthing clamp	1	ea	
5	CE0079	Coupling Tube threaded	2	ea	
6	CE0140	Rod section 3.1 m long 14 mm diam threaded	3	ea	

APPENDIX A – REVISION INFORMATION

(Informative) Horizon Power has endeavoured to provide standards of the highest quality and would appreciate notification if any errors are found or even queries raised.

Each Standard makes use of its own comment sheet which is maintained throughout the life of the standard, which lists all comments made by stakeholders regarding the standard.

The document **DM# 2304418** can be used to record any errors or queries found in or pertaining to this standard, which can then be addressed whenever the standard gets reviewed.

Date	Rev No.	Notes
	0	Western Power Supplied
01/07/2009	1	Original Horizon Power issue
09/10/2010	2	Change of Document Control
11/01/2012	3	Change in Document Control, Drawings revised and CUTE1, RE2_7/474AA & RE5 Titles updated.
21/01/2014	4	Change in Document format
2/07/2018	5	Remove switchwire and add in earthing, remove "Wishbone" from RE6 wording
22/06/2020	6	Renamed RE1B to RE1 Removed RE1S Update Item numbers on RE2 CU lists OS0055 is replaced with CB0017 and CS0068 on RE2 CU lists
08/08/2022	7	RE Index List and Drawings <ul style="list-style-type: none"> • RE11B, RE11T Drawings Removed • RE11B and RE11T to be replaced with PO19_C Stock Code Updates <ul style="list-style-type: none"> • CB0068 changed to CS0068 - BRACKET