



# DISTRIBUTION CONSTRUCTION STANDARDS

Part 11

*Date Published: 9 April 2021*

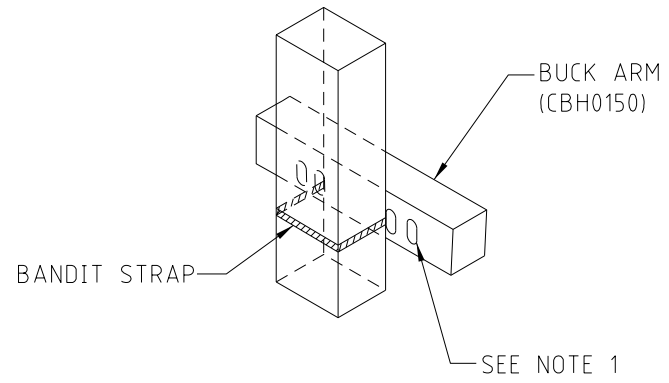
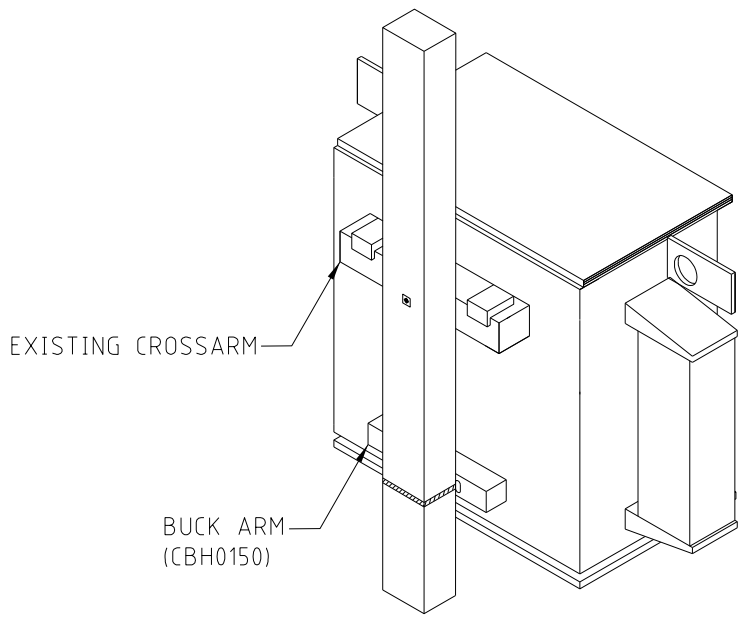
## **X - MAINTENANCE**

For application to  
Horizon Power  
Electricity Distribution Networks


Uncontrolled document when printed. Refer Online for latest version.

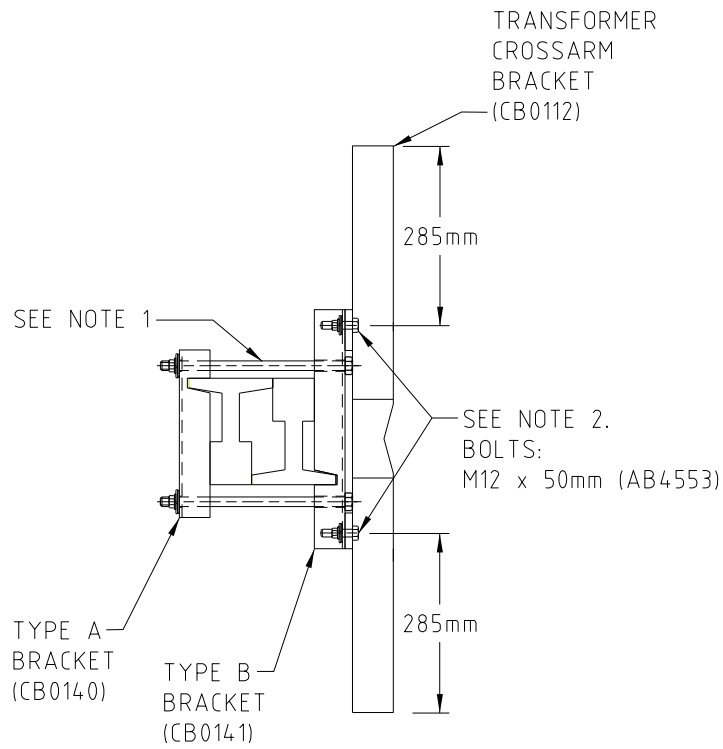
## Part 11 – Maintenance – Drawing Register

Number	Description
<a href="#">X001</a>	Buck Arm For Legacy Transformers
<a href="#">X002</a>	Box Rail Pole Transformer Crossarm Bracket Installation Detail
<a href="#">X003</a>	Box Rail Pole Web Mounted HV Intermediate 2.4m Non-Unitised Crossarm (No Stay)
<a href="#">X004</a>	Box Rail Pole Web Mounted HV Termination 2m Termination Crossarm with Stay
<a href="#">X005-1</a>	Wood Pole – Bonding – Intermediate
<a href="#">X005-2</a>	Wood Pole – Bonding - Strain
<a href="#">X005-3</a>	Wood Pole - 3 Phase Intermediate Double Cross-Arm
<a href="#">X005-4</a>	Wood Pole - Horizontal Termination Anti Swan Cross-Arm
<a href="#">X006</a>	Earthing for Wood Pole

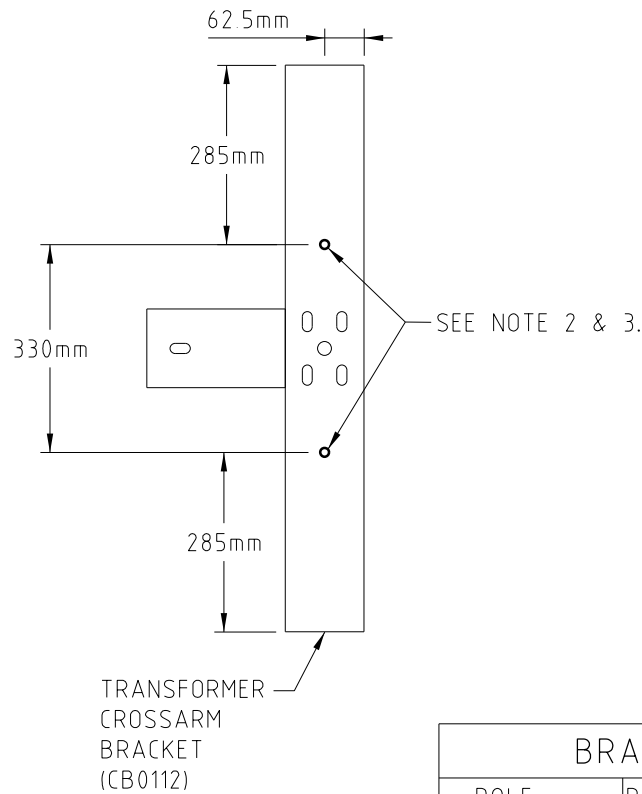


- NOTES:
1. USE APPROPRIATE SLOTS FOR POLE SIZE.
  2. BUCK ARM IS REQUIRED BASED ON TRANSFORMER DESIGN TO ENSURE TRANSFORMER IS VERTICAL AGAINST POLE.

 DISTRIBUTION CONSTRUCTION STANDARDS	MAINTENANCE DRAWING	REVISION A	DATE 06/08/2020
	BUCK ARM  FOR LEGACY TRANSFORMERS	DRAWING No.  X001	
OPERATIONS DIVISION			



DRILLING PATTERN FOR CB0112



POLE	RAIL TYPE	BOLT	STOCKS
SINGLE BOX RAIL	119LB	M20 x 300mm	AB4687
	132LB	M20 x 325mm	AB4689
	136LB	M20 x 350mm	AB4691
DOUBLE BOX RAIL	119LB	M20 x 450mm	AB4699
	136LB	M20 x 450mm	AB4699

NOTES:

1. SEE BRACKET BOLT TABLE FOR SIZES.
2. TWO HOLES (DIA. 14mm) TO BE DRILLED AS PER DRILLING PATTERN.
3. DRILLED HOLES TO BE DE-BURRED AND PAINTED WITH GALVANISED PAINT.



DISTRIBUTION CONSTRUCTION STANDARDS

OPERATIONS DIVISION

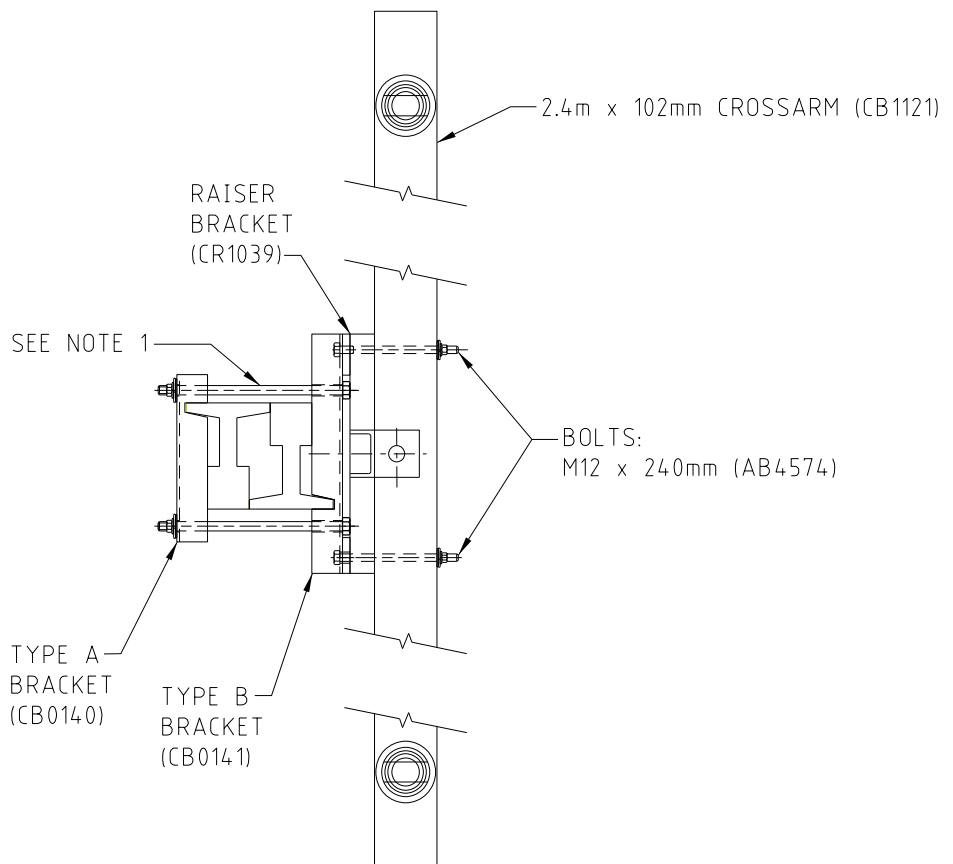
MAINTENANCE DRAWING

BOX RAIL POLE  
TRANSFORMER CROSSARM BRACKET  
INSTALLATION DETAIL

REVISION A DATE 13/08/2020

DRAWING No.

X002



BRACKET BOLT TABLE

POLE	RAIL TYPE	BOLT	STOCKS
SINGLE BOX RAIL	119LB	M20 x 300mm	AB4687
	132LB	M20 x 325mm	AB4689
	136LB	M20 x 350mm	AB4691
DOUBLE BOX RAIL	119LB	M20 x 450mm	AB4699
	136LB	M20 x 450mm	AB4699

NOTES:  
1. SEE BRACKET BOLT TABLE FOR SIZES.



DISTRIBUTION CONSTRUCTION STANDARDS

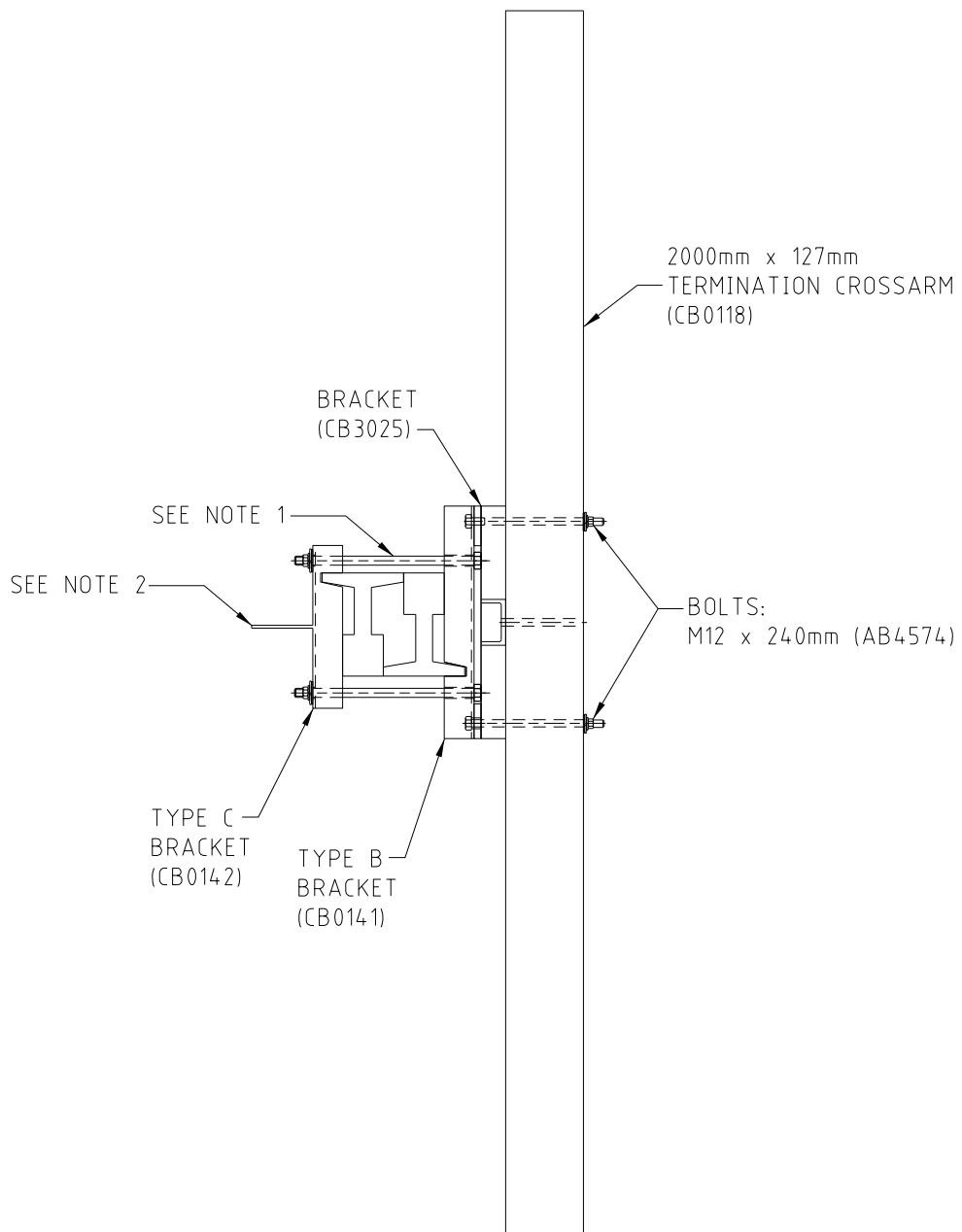
OPERATIONS DIVISION

MAINTENANCE DRAWING

BOX RAIL POLE  
WEB MOUNTED HV INTERMEDIATE  
2.4m NON - UNITISED CROSSARM (NO STAY)

REVISION A DATE 13/08/2020

DRAWING No. X003



- NOTES:  
 1. SEE BRACKET BOLT TABLE FOR SIZES.  
 2. INSTALL STAY ON STAY ROPE LUG.

BRACKET BOLT TABLE			
POLE	RAIL TYPE	BOLT	STOCKS
SINGLE BOX RAIL	119LB	M20 x 300mm	AB4687
	132LB	M20 x 325mm	AB4689
	136LB	M20 x 350mm	AB4691
DOUBLE BOX RAIL	119LB	M20 x 450mm	AB4699
	136LB	M20 x 450mm	AB4699



DISTRIBUTION CONSTRUCTION  
STANDARDS

OPERATIONS DIVISION

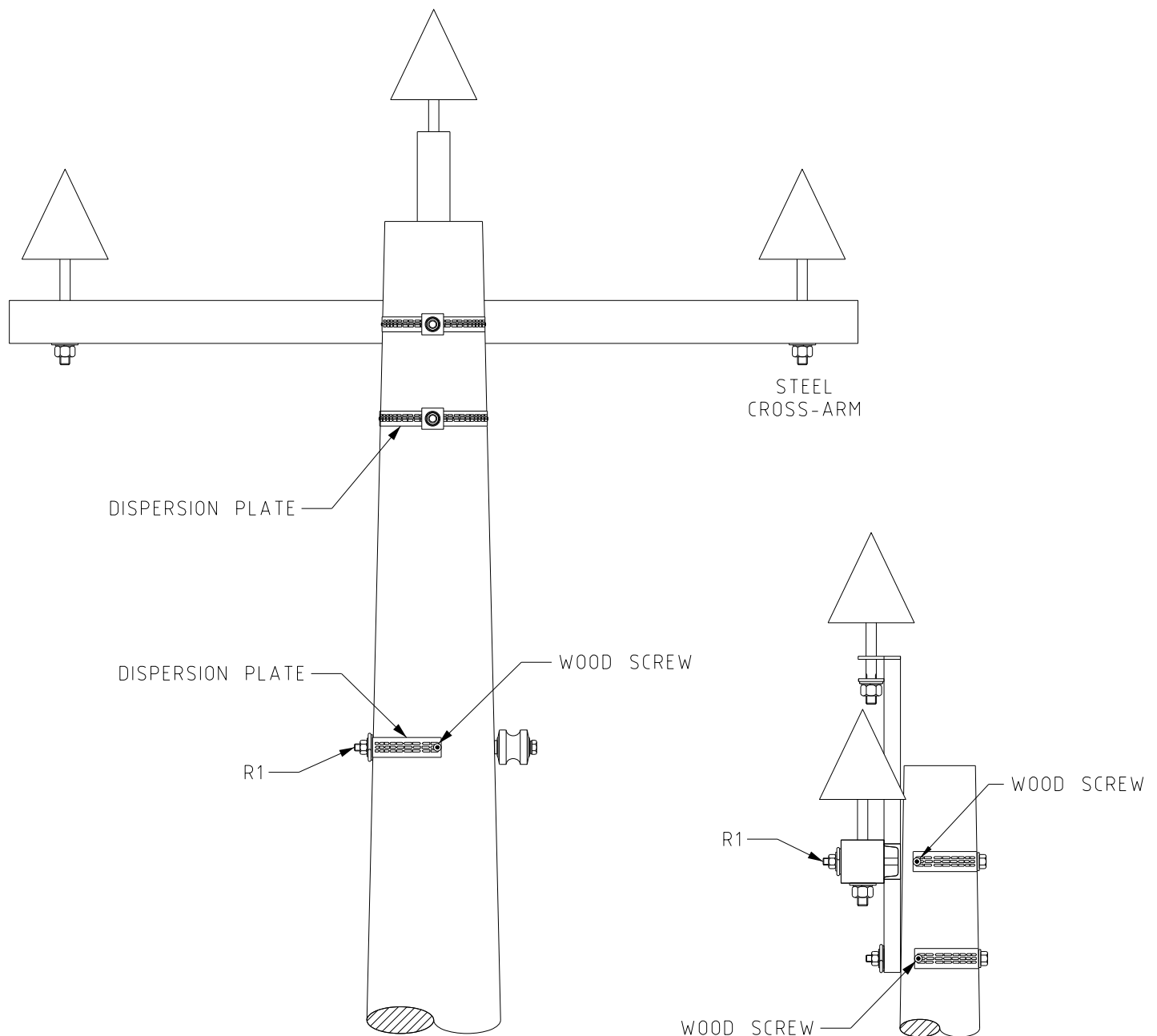
MAINTENANCE DRAWING

BOX RAIL POLE  
WEB MOUNTED HV TERMINATION  
2m TERMINATION CROSSARM WITH STAY

REVISION  
A      DATE  
13/08/2020

DRAWING No.

X004



**NOTES:-**

- 1 INSTALL A DISPERSION PLATE TO ALL BOLTS WHICH PASS THROUGH A WOOD SECTION OF A POLE INCLUDING STAYS & STREET LIGHTS.
- 2 MUST BE SECURED DIRECTLY OVER THE HOLE, IN DIRECT CONTACT WITH A SQUARE WASHER OR METAL CROSS-ARM.
- 3 USE WOOD SCREW FOR INSTALLATION OF DISPERSION PLATE END ONTO POLE.

STOCK CODE	DESCRIPTION	TYPICAL APPLICATION
CE7541	DISPERSION PLATE	WOOD POLES
AS2512	WOOD SCREW 25mm LONG	HARD WOOD POLES
AS2513	WOOD SCREW 50mm LONG	SOFT WOOD POLES



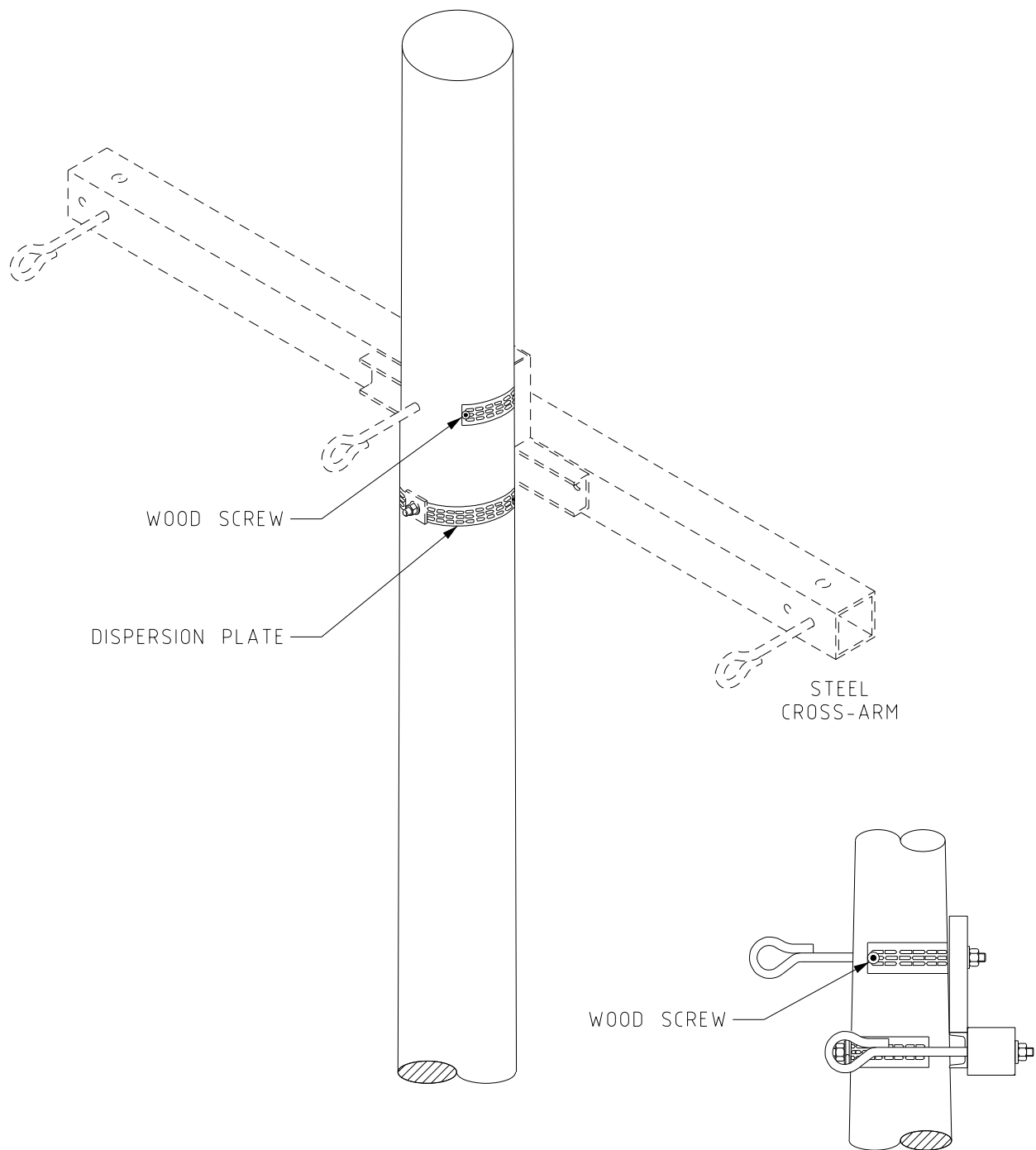
DISTRIBUTION CONSTRUCTION STANDARDS

WOOD POLE BONDING - INTERMEDIATE

REVISION A	DATE 28/08/20
---------------	------------------

DRAWING No.

X005-1



**NOTES:-**

1. INSTALL A DISPERSION PLATE TO ALL BOLTS WHICH PASS THROUGH A WOOD SECTION OF A POLE INCLUDING STAYS & STREET LIGHTS
2. MUST BE SECURED DIRECTLY OVER THE HOLE, IN DIRECT CONTACT WITH A SQUARE WASHER OR METAL CROSS-ARM
3. USE WOOD SCREW FOR INSTALLATION OF DISPERSION PLATE END ONTO POLE

STOCK CODE	DESCRIPTION	TYPICAL APPLICATION
CE7541	DISPERSION PLATE	WOOD POLES
AS2512	WOOD SCREW 25mm LONG	HARD WOOD POLES
AS2513	WOOD SCREW 50mm LONG	SOFT WOOD POLES



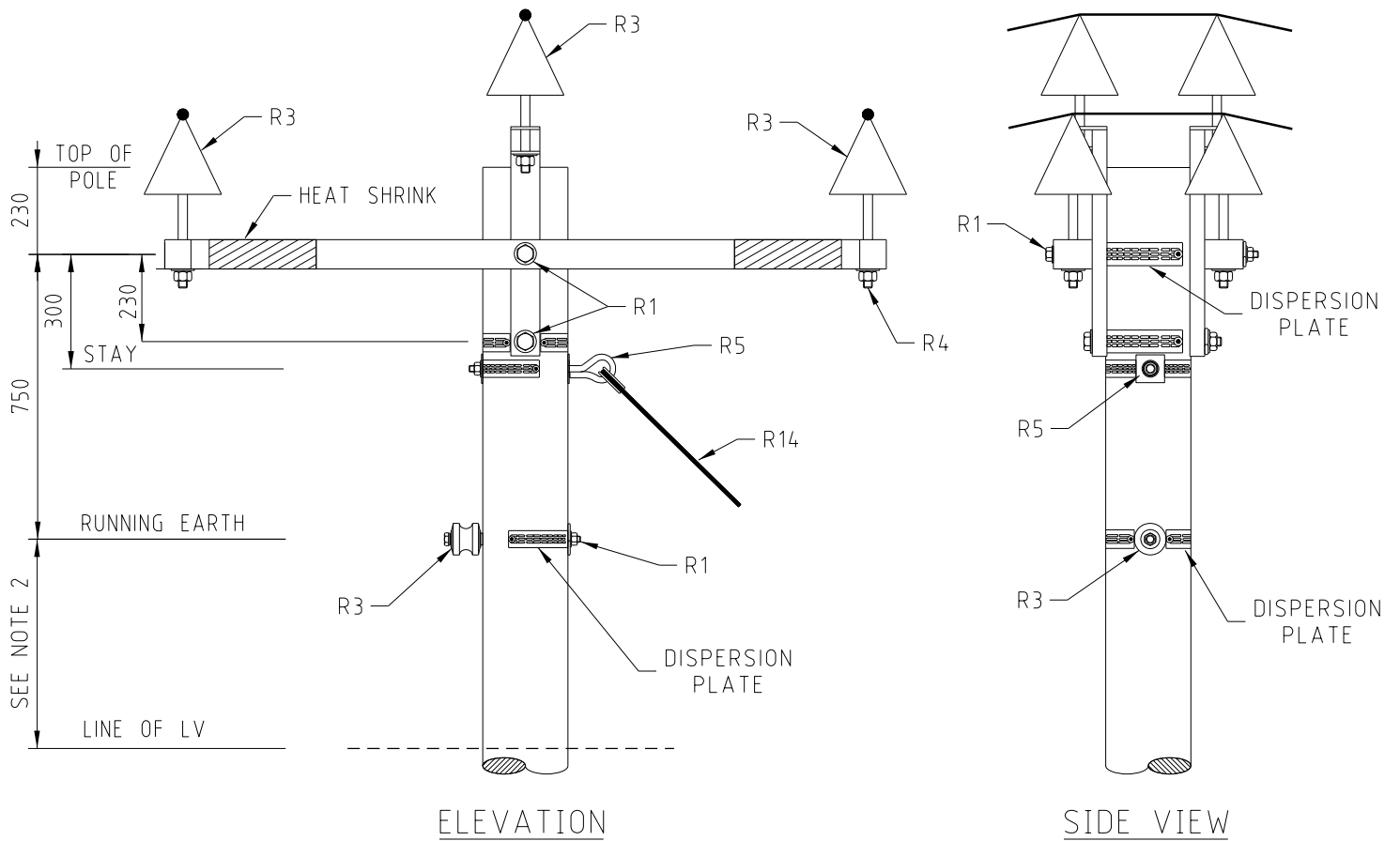
DISTRIBUTION CONSTRUCTION STANDARDS

WOOD POLE BONDING - STRAIN

REVISION	DATE
A	28/08/20

DRAWING No.
X005-2





NOTES

1. INSTALL A DISPERSION PLATE TO ALL BOLTS WHICH PASS THROUGH A WOOD SECTION OF A POLE
2. TOP HOLE POSITION FOR LV ABC BRACKET MUST BE:
  - a. 440mm BELOW R/E FOR NON-AAAC RUNNING EARTH.
  - b. 800mm BELOW R/E FOR AAAC RUNNING EARTH.
3. USE GALVANISED WOOD SCREW FOR INSTALLATION OF DISPERSION PLATE END ONTO POLE
  - a. 25mm LONG SCREW WITH NEO WASHER FOR HARD WOOD POLES.
  - b. 50mm LONG SCREW WITH NEO WASHER FOR SOFT WOOD POLES.
4. DISPERSION PLATE MUST BE SECURED DIRECTLY OVER THE HOLE, IN DIRECT CONTACT WITH A SQUARE WASHER OR METAL CROSS-ARM.

STOCK CODE	DESCRIPTION
CE7541	DISPERSION PLATE



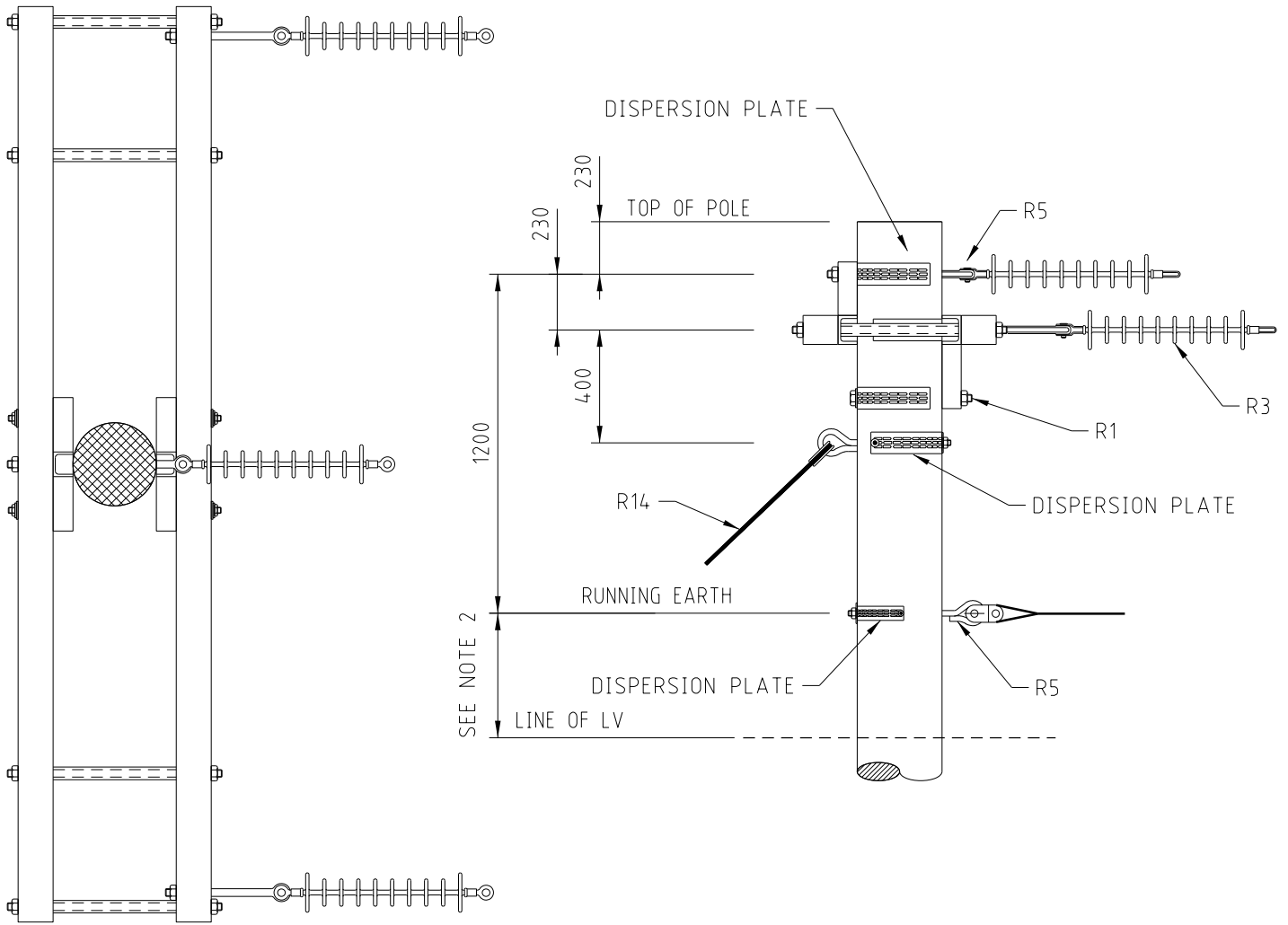
DISTRIBUTION CONSTRUCTION STANDARDS

WOOD POLE  
3 PHASE INTERMEDIATE  
DOUBLE CROSS-ARM

REVISION	DATE
A	08/10/2020

DRAWING No.

X005-3



**NOTES**

1. INSTALL A DISPERSION PLATE TO ALL BOLTS WHICH PASS THROUGH A WOOD SECTION OF A POLE
2. TOP HOLE POSITION FOR LV ABC BRACKET MUST BE:
  - a. 440mm BELOW R/E FOR NON-AAAC RUNNING EARTH.
  - b. 800mm BELOW R/E FOR AAAC RUNNING EARTH
3. USE GALVANISED WOOD SCREW FOR INSTALLATION OF DISPERSION PLATE END ONTO POLE
  - a. 25mm LONG SCREW WITH NEO WASHER FOR HARD WOOD POLES.
  - b. 50mm LONG SCREW WITH NEO WASHER FOR SOFT WOOD POLES
4. DISPERSION PLATE MUST BE SECURED DIRECTLY OVER THE HOLE, IN DIRECT CONTACT WITH A SQUARE WASHER OR METAL CROSS-ARM

STOCK CODE	DESCRIPTION
CE7541	DISPERSION PLATE



DISTRIBUTION CONSTRUCTION STANDARDS

WOOD POLE  
HORIZONTAL TERMINATION  
ANTI SWAN CROSS-ARM

REVISION A	DATE 08/10/2020
---------------	--------------------

DRAWING No.

X005-4

CONNECT  
EARTH CABLE  
TO EQUIPMENT  
OR RUNNING  
EARTH

EE1264  
70mm<sup>2</sup> CU  
EARTH CABLE

R6-1

12mm METALLIC  
CABLE SADDLE

10MM GALVANIZED  
SCREWS TO BE USED  
TO FASTEN SADDLE  
TO POLE

NOTE:  
CABLE SADDLES ARE NOT STANDARD STOCK ITEMS.



DISTRIBUTION CONSTRUCTION  
STANDARDS

X - MAINTENANCE

REVISION	DATE
A	07/04/2021

EARTHING FOR WOOD POLE

DRAWING No.

X006