



# DISTRIBUTION CONSTRUCTION STANDARDS

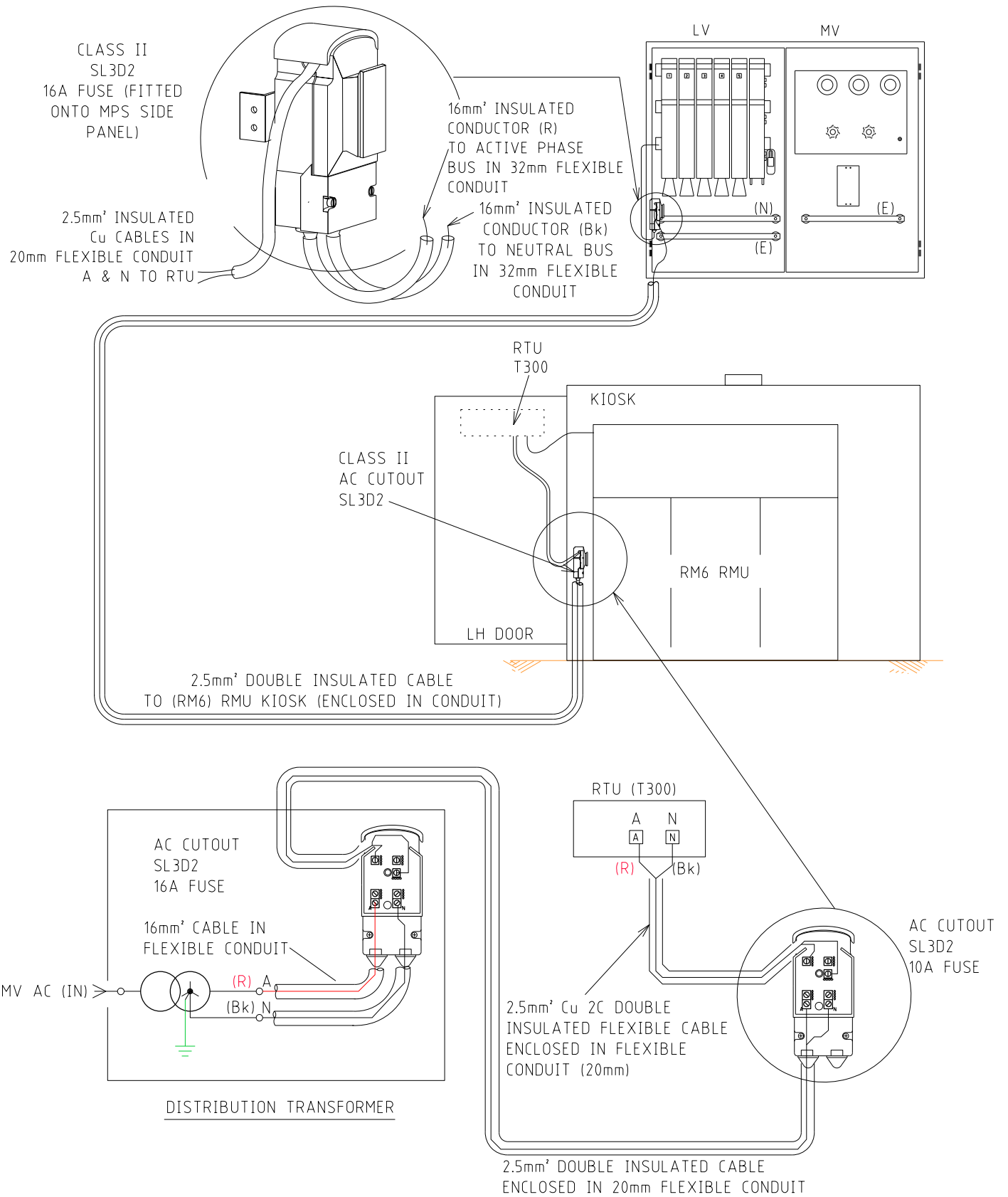
*Date Published: 12 October 2020*

## PART 10 - SUBSTATIONS G8 – DISTRIBUTION AUTOMATION

For application to  
Horizon Power  
Electricity Distribution Networks

## G8 - DISTRIBUTION AUTOMATION – Drawing Register

Number	Description
<a href="#">G8-7/1</a>	Schneider RM6 RMU MPS Transformer – Schneider Switchgear – Located Adjacent or Close to RMU – Installation Details
<a href="#">G8-7/2</a>	Schneider RM6 RMU Local Pillar – AC Power Supply to RTU – Installation Details
<a href="#">G8-7/3</a>	Schneider RM6 RMU Spuds Transformer – AC Power Supply to RTU – Installation Details
<a href="#">G8-7/4</a>	Schneider RM6 RMU RTU, Modem and Antenna Wiring Diagram – Installation Details
<a href="#">G8-7/6</a>	Schneider RM6 Indoor Metering Direct Bus Application – Switchgear Support Details
<a href="#">G8-7/7</a>	Schneider RM6 RMU CT Connection Diagram – Distribution Automation
<a href="#">G8-7/8</a>	Schneider RM6 RMU (T300) – Connection Detail



THIS DRAWING TO BE READ IN CONJUNCTION WITH THE DISTRIBUTION DESIGN RULES - HPC-9DJ-01-0002-2015.



DISTRIBUTION CONSTRUCTION STANDARDS

OPERATIONS DIVISION

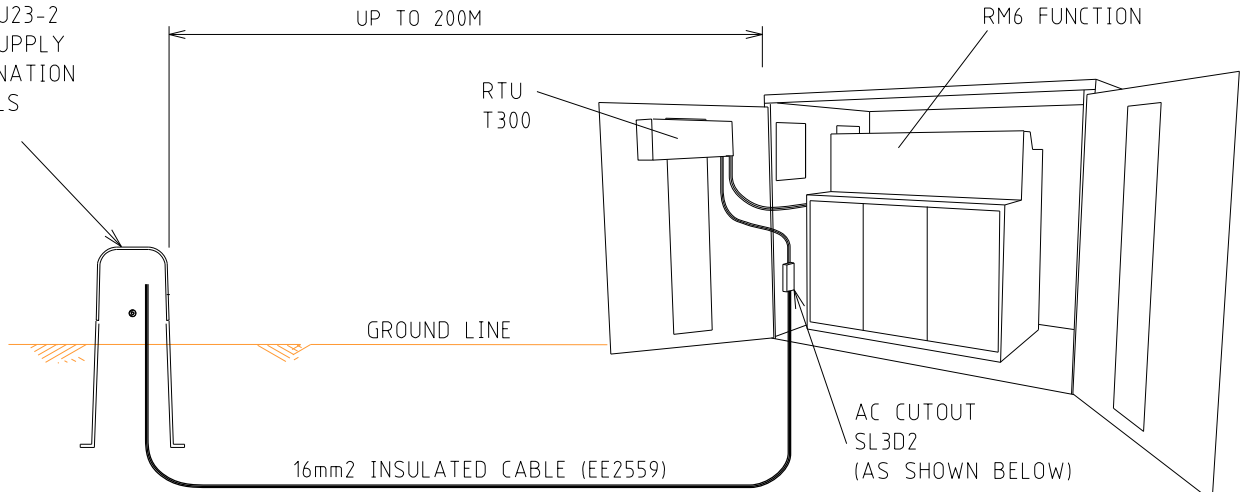
DISTRIBUTION AUTOMATION

SCHNEIDER RM6 RMU  
MPS TRANSFORMER SUPPLY  
(LOCATED ADJACENT OR CLOSE TO RMU)  
INSTALLATION DETAILS

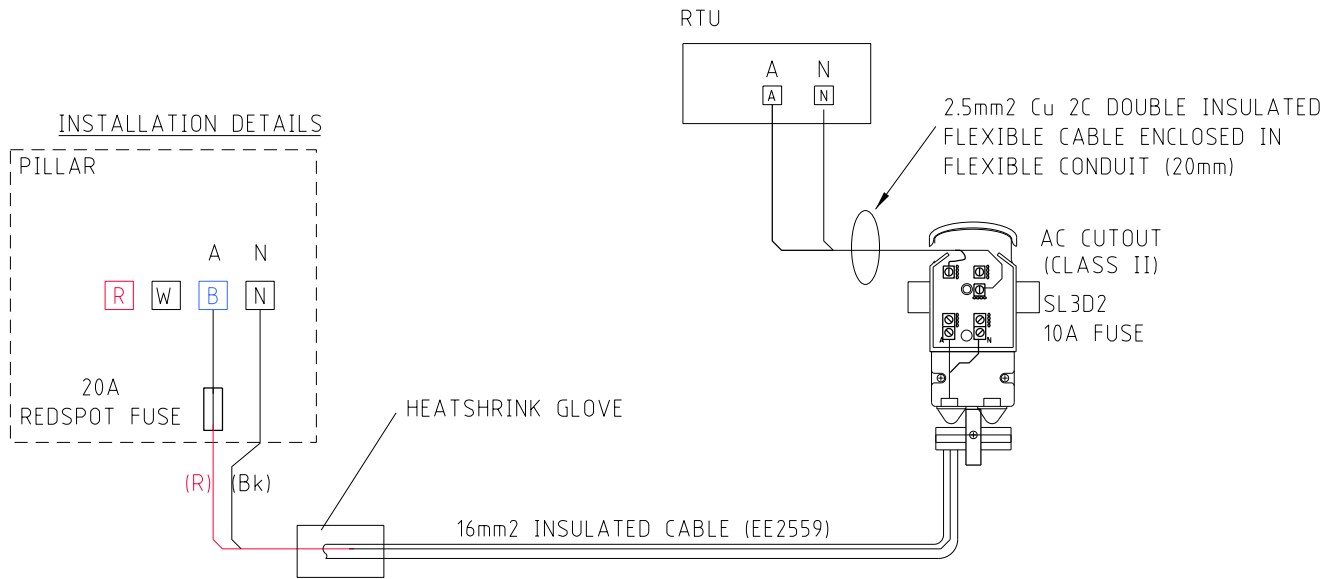
REVISION	DATE
C	07/10/2020

DRAWING No.  
G8-07/1

REFER TO  
DCSH U23-2  
FOR SUPPLY  
TERMINATION  
DETAILS



EXISTING OR NEW PILLAR  
(SINGLE PH LV AC SOURCE)



THIS DRAWING TO BE READ IN CONJUNCTION WITH THE DISTRIBUTION DESIGN RULES - HPC-9DJ-01-0002-2015.



DISTRIBUTION CONSTRUCTION  
STANDARDS

SCHNEIDER RM6 RMU  
LOCAL PILLAR  
AC POWER SUPPLY TO RTU  
INSTALLATION DETAILS

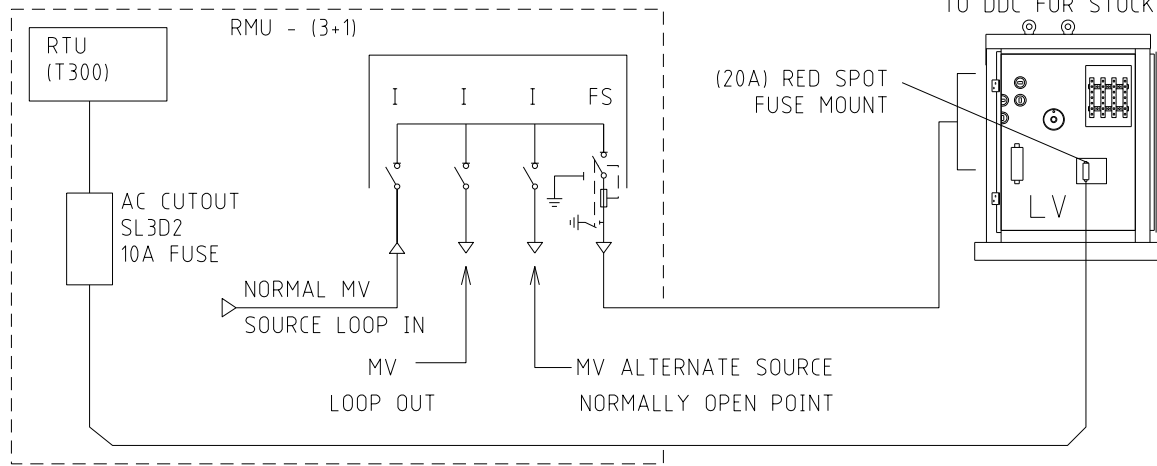
REVISION	DATE
C	04/09/2020

DRAWING No.

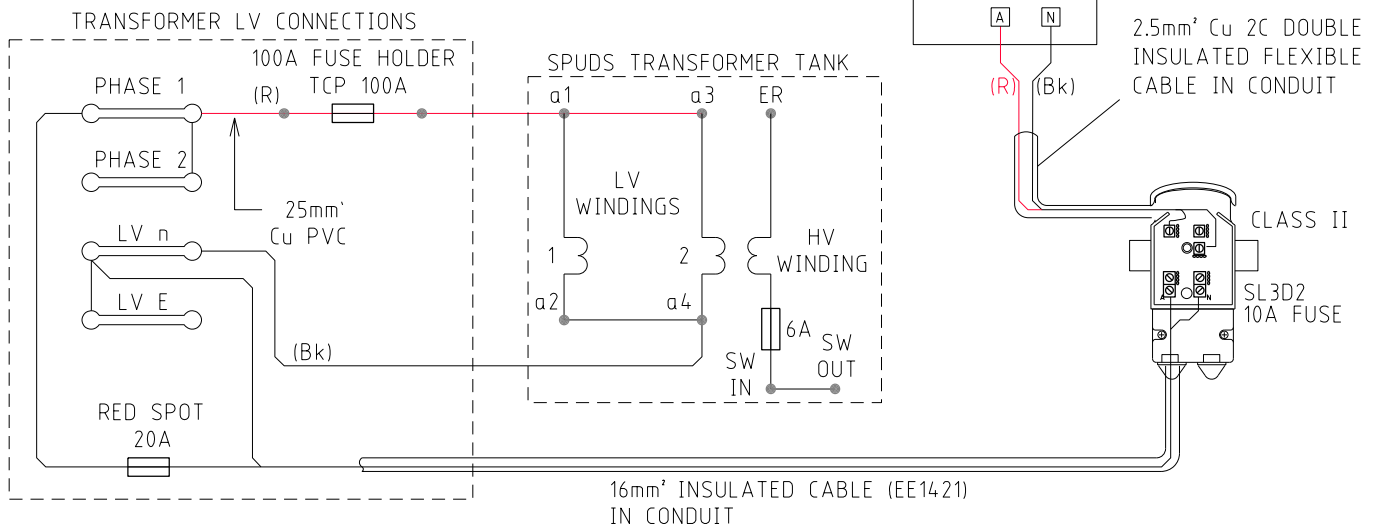
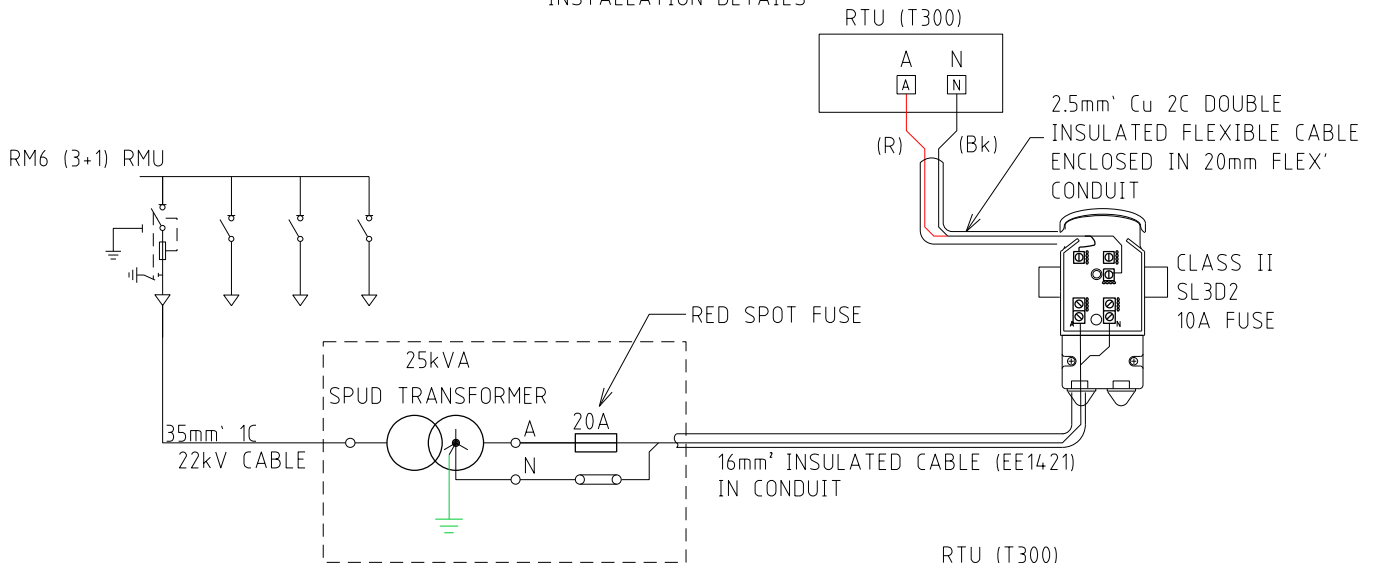
G8-07/2

APPLICABLE WHERE NEAREST AVAILABLE LV POWER SUPPLY GREATER THAN 200M

25 kVA SPUD Tx REFER TO DDC FOR STOCK CODES



INSTALLATION DETAILS



THIS DRAWING TO BE READ IN CONJUNCTION WITH THE DISTRIBUTION DESIGN RULES - HPC-9DJ-01-0002-2015.



DISTRIBUTION CONSTRUCTION STANDARDS

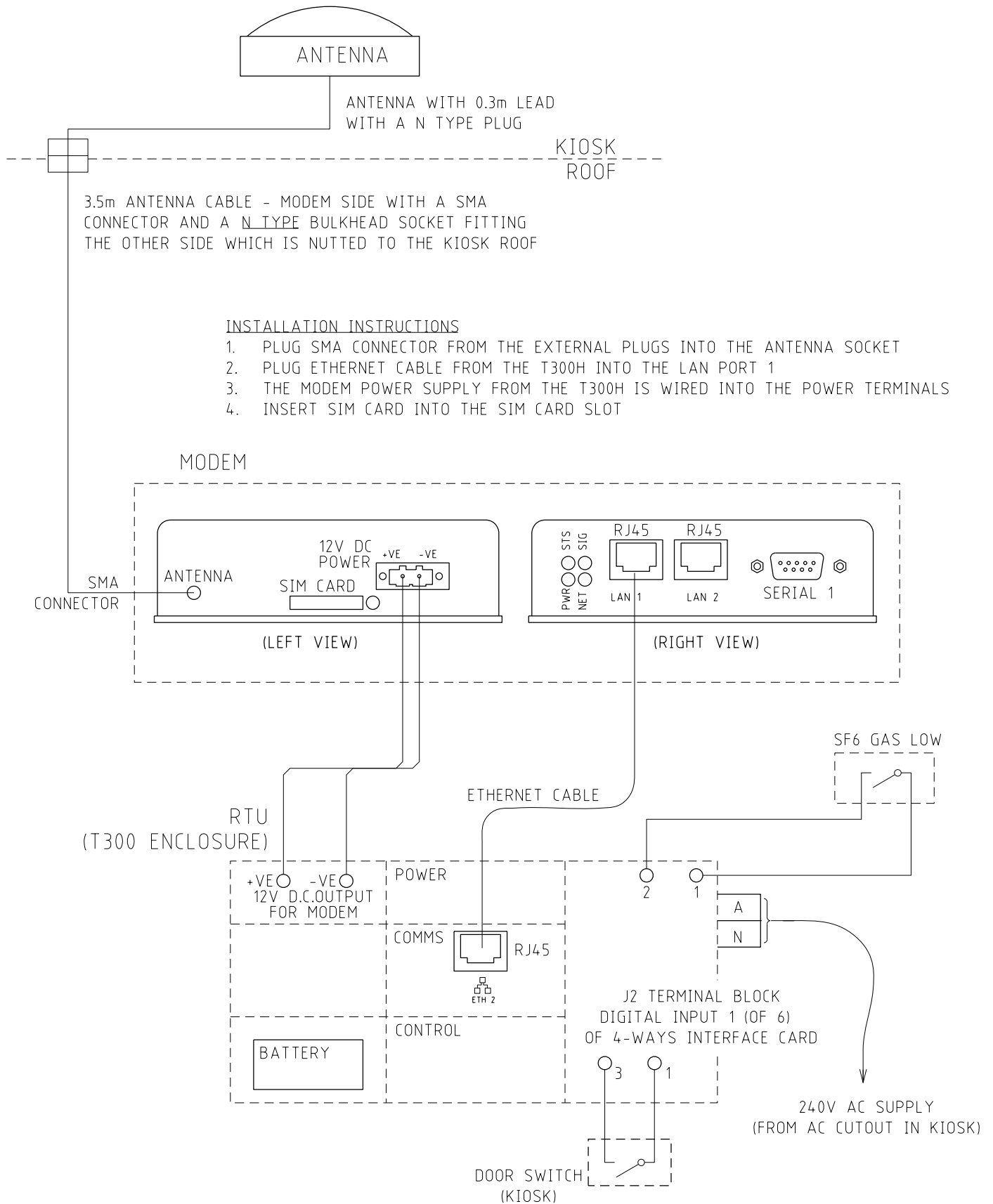
OPERATIONS DIVISION

DISTRIBUTION AUTOMATION

SCHNEIDER RM6 RMU  
SPUDS TRANSFORMER SUPPLY  
INSTALLATION DETAILS


REVISION	DATE
C	07/10/2020

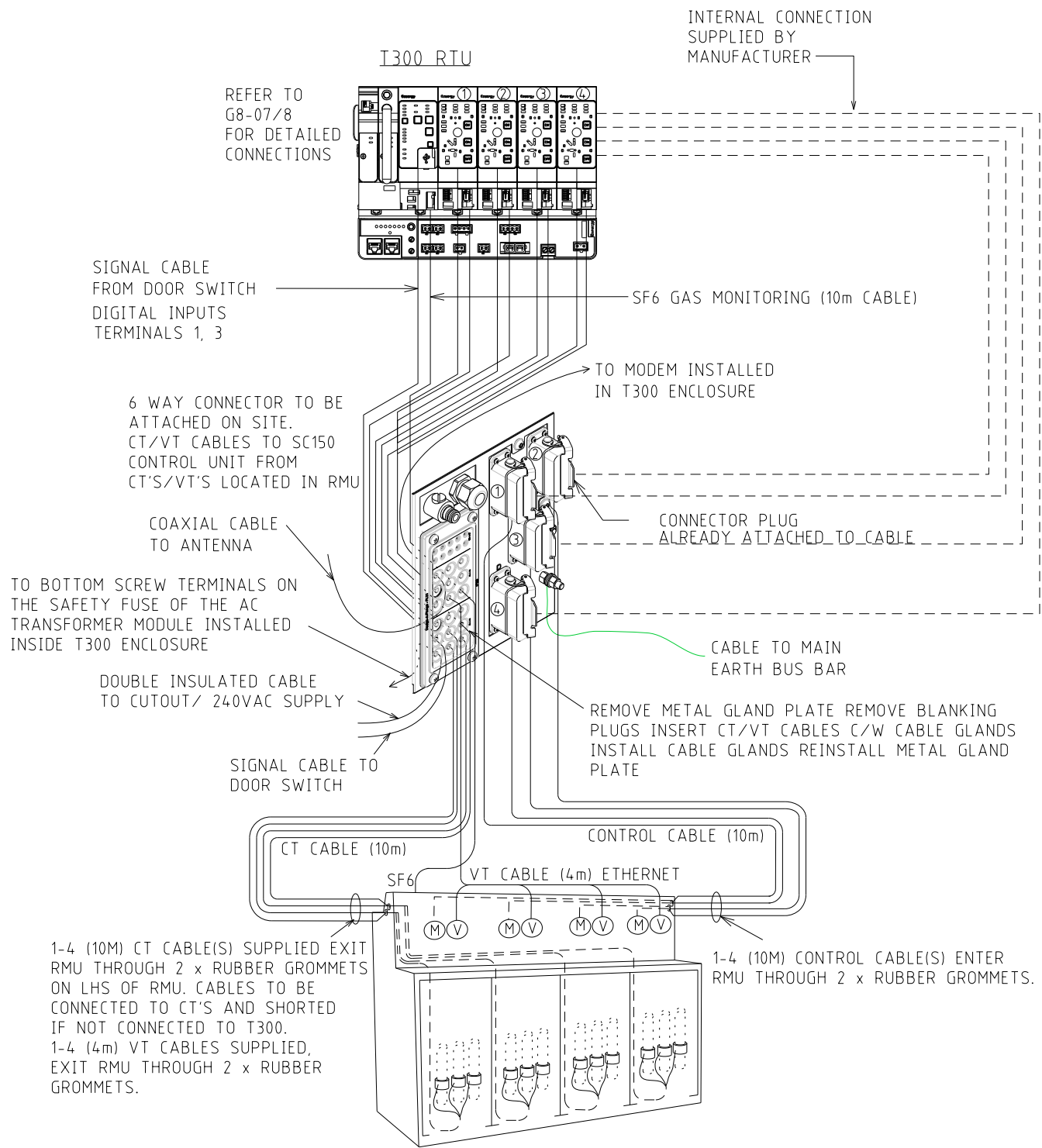
DRAWING No.  
G8-07/3



NOTE: T300, MODEM, AND ANTENNA TO BE INSTALLED BY OT.

THIS DRAWING TO BE READ IN CONJUNCTION WITH THE DISTRIBUTION DESIGN RULES - HPC-9DJ-01-0002-2015.

 DISTRIBUTION CONSTRUCTION STANDARDS OPERATIONS DIVISION	DISTRIBUTION AUTOMATION	REVISION C	DATE 07/10/2020
	SCHNEIDER RM6 RMU RTU, MODEM AND ANTENNA WIRING DIAGRAM INSTALLATION DETAILS	DRAWING No. G8-07/4	



INSTALL PROVIDED 3 x SPLIT CT'S (TOROIDS) TO ALL THE FEEDER CABLES IN CABLE COMPARTMENT- NOTE CT POLARITY. ENSURE THAT CABLES, CABLE SCREENS & DRAIN WIRES PASS THROUGH THE RESPECTIVE CT'S. ENSURE THAT THE CT EARTH WIRES (Y/Gn) ARE TERMINATED AT THE COMMON COPPER EARTH BAR LOCATED IN THE RESPECTIVE CABLE COMPARTMENT

NOTES:

- 1: T300, MODEM, AND ANTENNA TO BE INSTALLED BY OT.
- 2: CT CABLES OF INSTALLED CT'S ARE TO BE SHORTED IF NOT CONNECTED TO T300.

THIS DRAWING TO BE READ IN CONJUNCTION WITH THE DISTRIBUTION DESIGN RULES - HPC-9DJ-01-0002-2015.



DISTRIBUTION CONSTRUCTION STANDARDS

OPERATIONS DIVISION

DISTRIBUTION AUTOMATION

SCHNEIDER RM6 RMU (T300)  
CONNECTION DRAWING  
INSTALLATION DETAILS

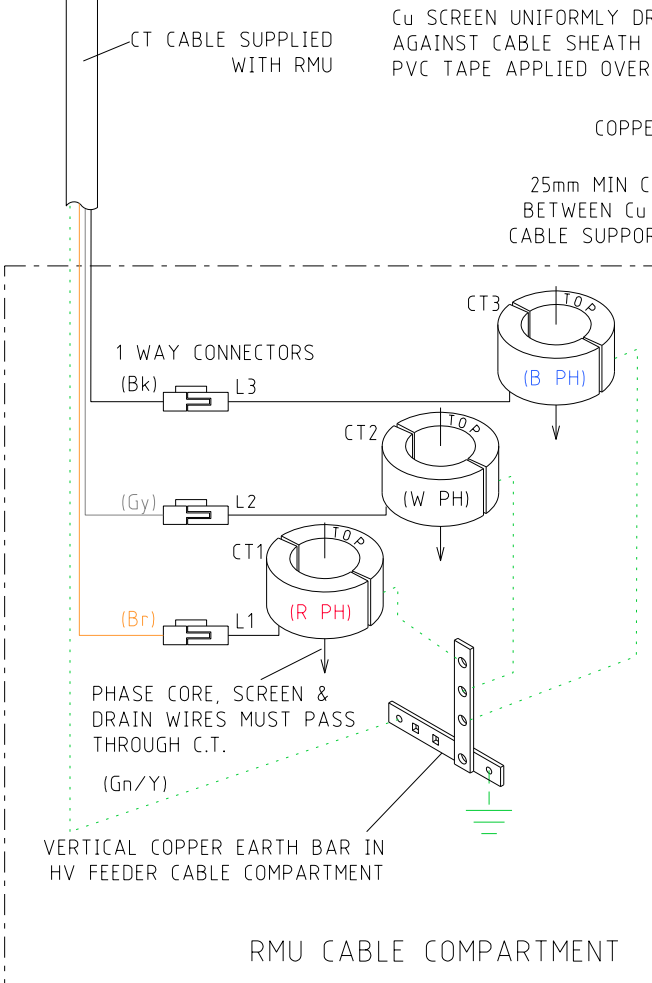
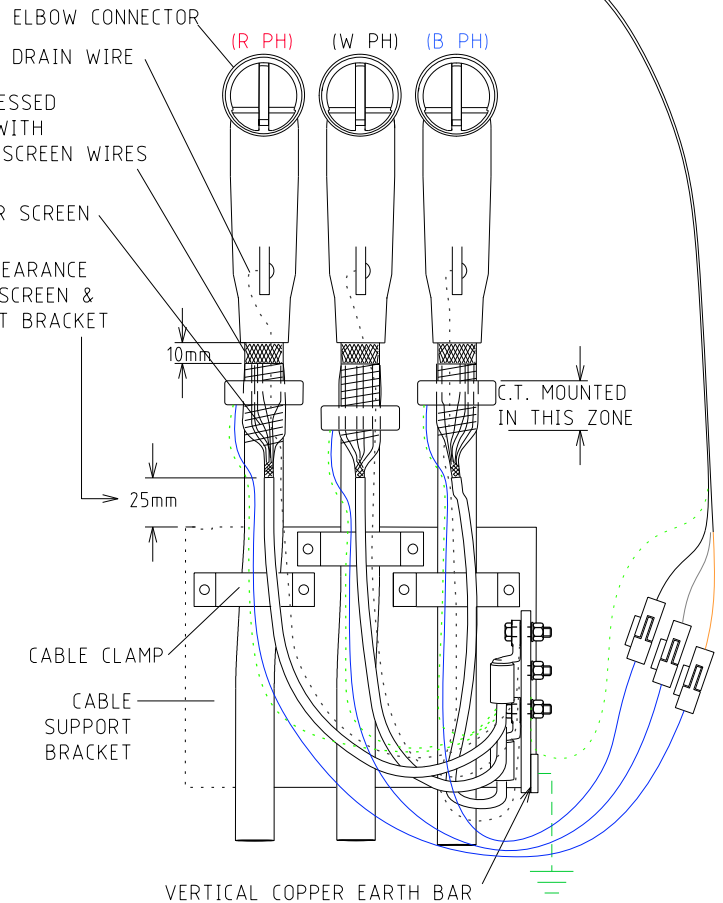
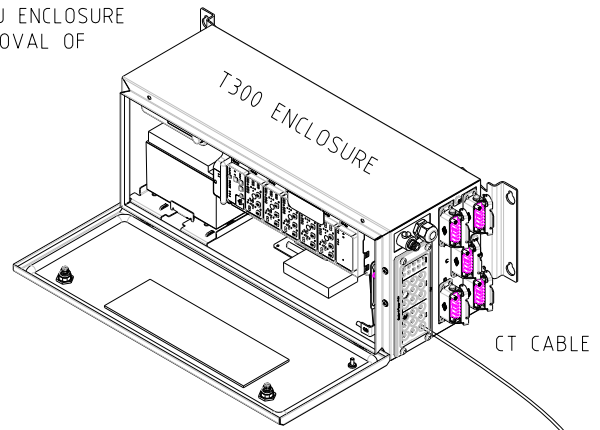
REVISION	DATE
C	07/10/2020

DRAWING No.  
G8-07/6

WIRE COLOURS  
 L1 - BROWN (Br)  
 L2 - GREY (Gy)  
 L3 - BLACK (Bk)  
 EARTH (Gn/Y)

CONNECT CT CABLE TO CURRENT  
 ACQUISITION CARD IN RTU ENCLOSURE  
 IMMEDIATELY AFTER REMOVAL OF  
 SHORTING PLUG

×× NOTE 1.  
 SHORTING PLUG MUST BE FITTED WHEN  
 CT CABLE IS NOT CONNECTED TO RTU (T300)



- NOTES:
- 1: SHORTING PLUG MUST BE FITTED WHEN CT CABLE IS NOT CONNECTED TO RTU (T300)
  - 2: C.T.'s MUST BE MOUNTED ON THE CABLES IN THE CORRECT ORIENTATION. WITH "TOP" AT THE TOP AND THE WIRE OUTLET AT THE BOTTOM OF C.T.'s (SEE ILLUSTRATION)

THIS DRAWING TO BE READ IN CONJUNCTION WITH THE DISTRIBUTION DESIGN RULES - HPC-9DJ-01-0002-2015.



DISTRIBUTION CONSTRUCTION  
 STANDARDS

OPERATIONS DIVISION

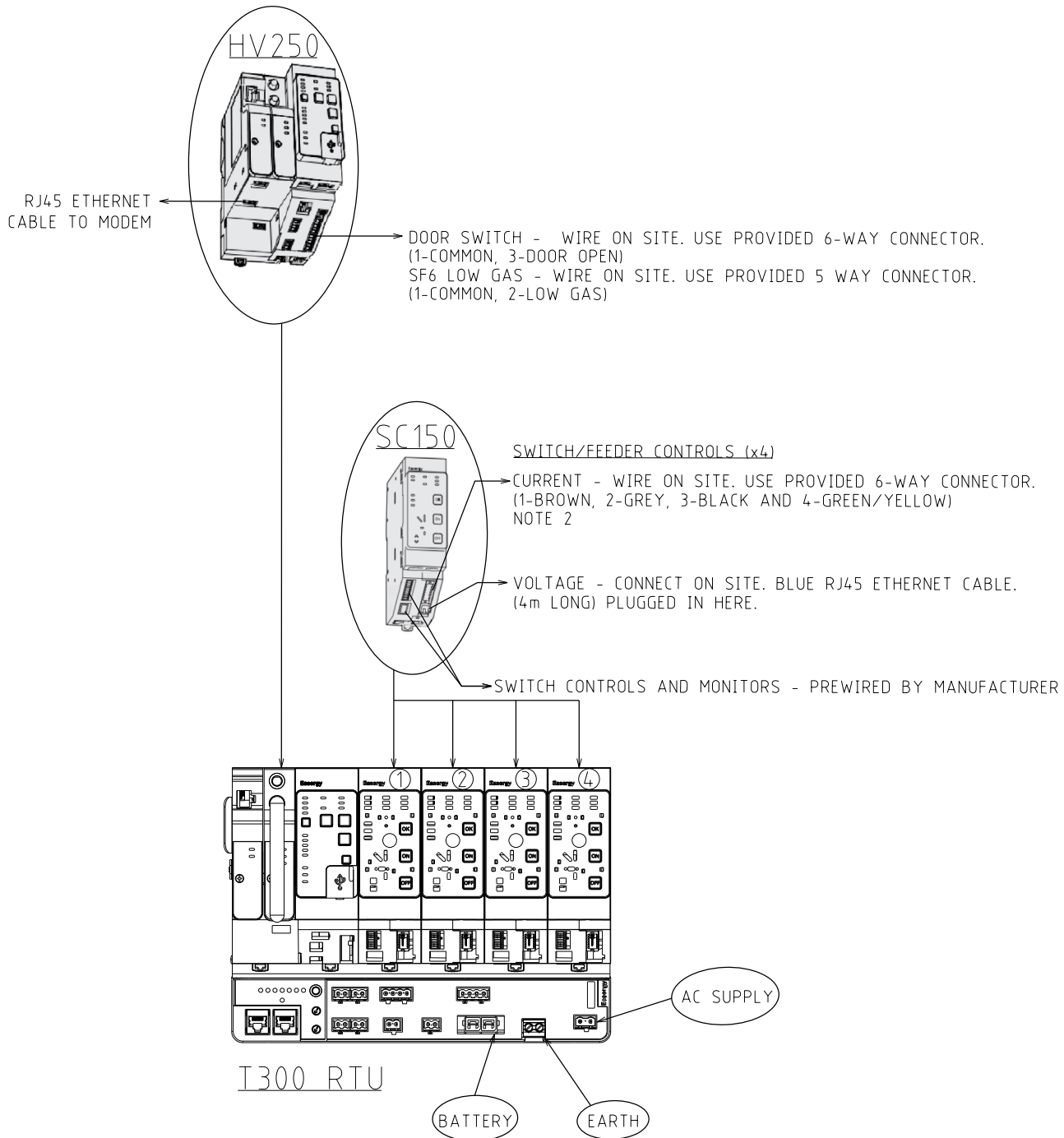
DISTRIBUTION AUTOMATION

SCHNEIDER RM6 RMU (T300)  
 CT INSTALLATION DIAGRAM  
 DISTRIBUTION AUTOMATION

REVISION	DATE
C	07/10/2020

DRAWING No.  
 G8-07/7






NOTES:

- 1: T300, MODEM, AND ANTENNA TO BE INSTALLED BY OT.
- 2: CT CABLES OF INSTALLED CT'S ARE TO BE SHORTED IF NOT CONNECTED TO T300.

THIS DRAWING TO BE READ IN CONJUNCTION WITH THE DISTRIBUTION DESIGN RULES - HPC-9DJ-01-0002-2015.

 DISTRIBUTION CONSTRUCTION STANDARDS  OPERATIONS DIVISION	DISTRIBUTION AUTOMATION	REVISION A	DATE 07/10/2020
	SCHNEIDER RM6 RMU (T300) CONNECTION DETAIL	DRAWING No.  G8-07/8	